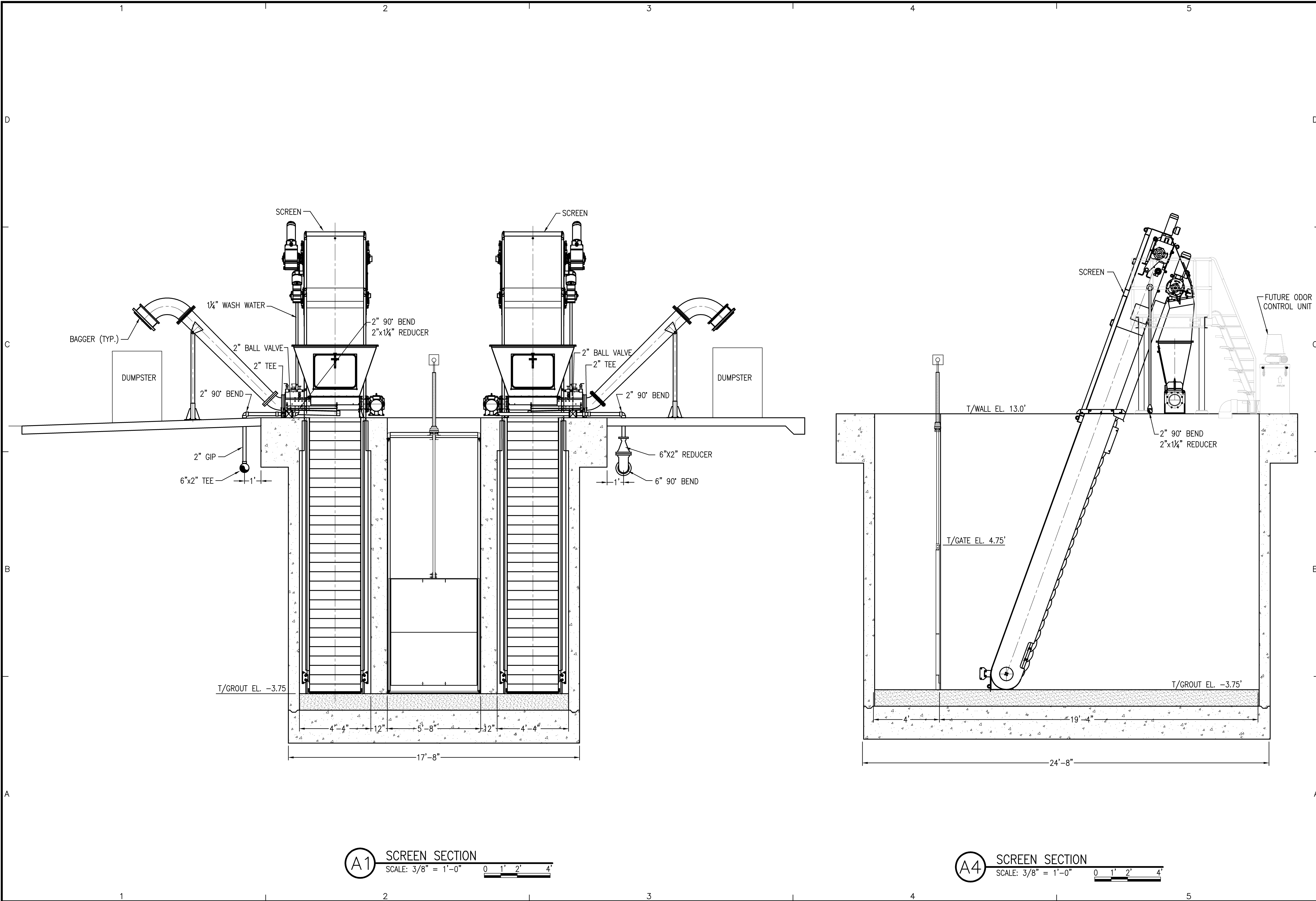


K:\279\27941.05 - Bayou Marcus\DWG\M-200.dwg, Aug 09, 2012 - 9:22:19AM, toverton



**A1** SCREEN SECTION  
SCALE: 3/8" = 1'-0"  
0 1' 2' 4'

**A4** SCREEN SECTION  
SCALE: 3/8" = 1'-0"  
0 1' 2' 4'

**BASKERVILLE-DONOVAN, INC.**  
INNOVATIVE INFRASTRUCTURE SOLUTIONS  
PENSACOLA ■ PANAMA CITY ■ TALLAHASSEE ■ MOBILE  
440 WEST MAIN STREET  
PENSACOLA, FLORIDA 32502 (850)498-9661  
ENGINEERING BUSINESS: EB-0000340

CHRISTINA L. LEACH, P.E.  
FL Reg. Engineer #66594

**ECUA BAYOU MARCUS HEADWORKS IMPROVEMENTS**  
ESCAMBIA COUNTY, FLORIDA

NO.	DATE	APPR.	REVISION/ACTION TAKEN

This drawing is the property of BASKERVILLE-DONOVAN, INC. and is not to be reproduced in whole or in part. It is not to be used on any project without the written consent of BASKERVILLE-DONOVAN, INC. and shall be returned upon request.

PROJECT NO: 27941.05  
DESIGNED BY: CLL  
DRAWN BY: THO  
CHK'D BY: CLL  
PROJ. MGR: RWD  
DATE: SEPT. 2011

**NOT RELEASED FOR CONSTRUCTION**  
BY: \_\_\_\_\_ DATE: \_\_\_\_\_

**M-203**