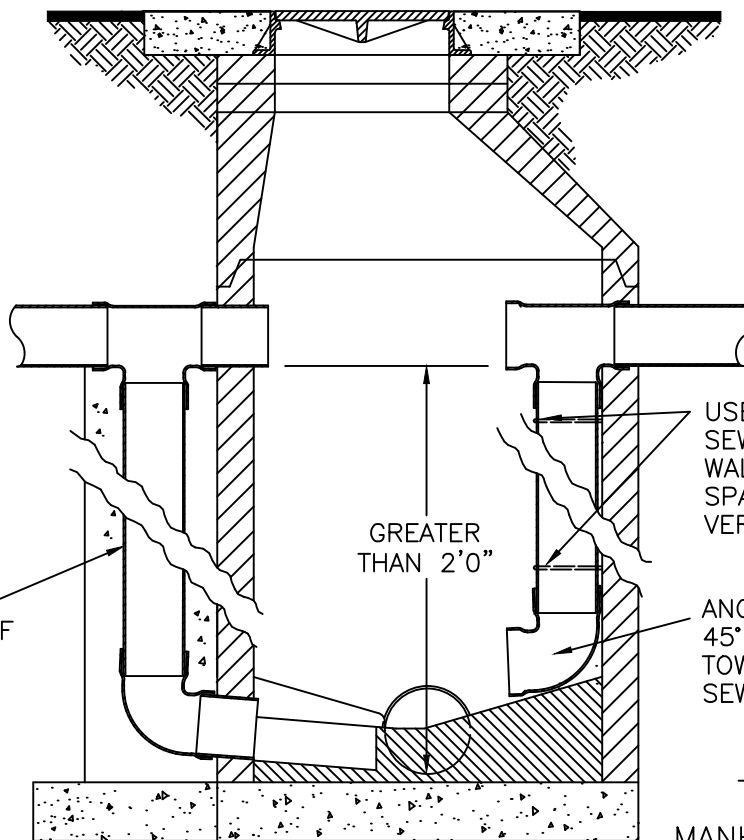


NOTE:  
 REFER TO SPECIFICATIONS AND DETAILS D-10 &  
 D-11 FOR NOTES PERTAINING TO MANHOLE CONSTRUCTION.



Ø 8"  
 USE REDUCER IF  
 LINE IS LARGER  
 THAN 8"

USE S/S CLAMPS TO SECURE  
 SEWER PIPE TO MANHOLE  
 WALL. CLAMPS TO BE  
 SPACED ± 12" APART  
 VERTICALLY

ANGLE THIS BEND  
 45°  
 TOWARD DOWNSTREAM  
 SEWER MAIN

TYPE "A"  
 MANHOLE-EXTERNAL  
 DROP CONNECTION

TYPE "B"  
 MANHOLE-INTERNAL  
 DROP CONNECTION  
 (BUILDING SERVICE &  
 LATERALS ONLY)

**SECTION A-A**



SCALE: N.T.S.  
 DATE: 9/01/2016

**DROP MANHOLE**

DETAIL

**D-13**