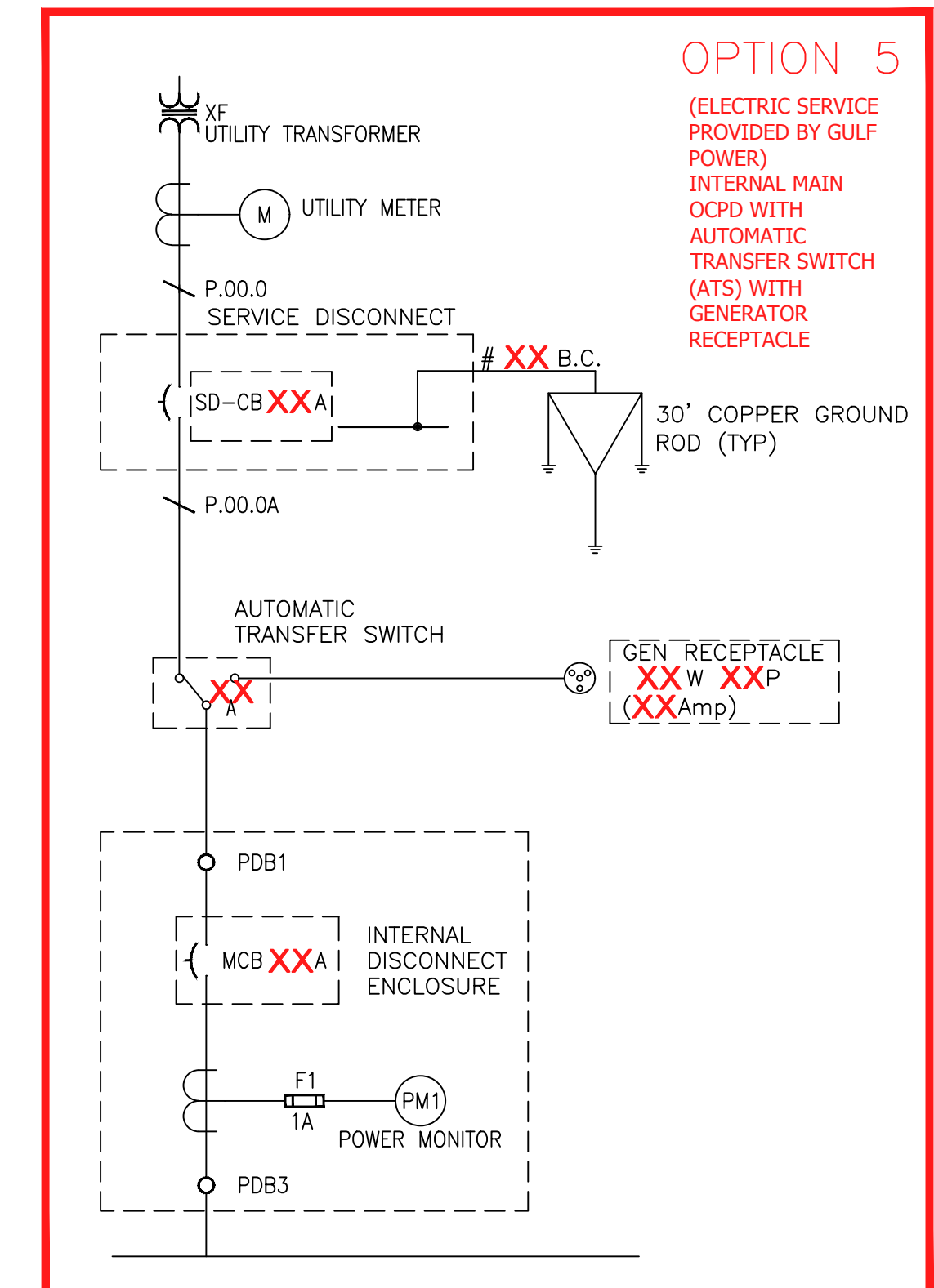
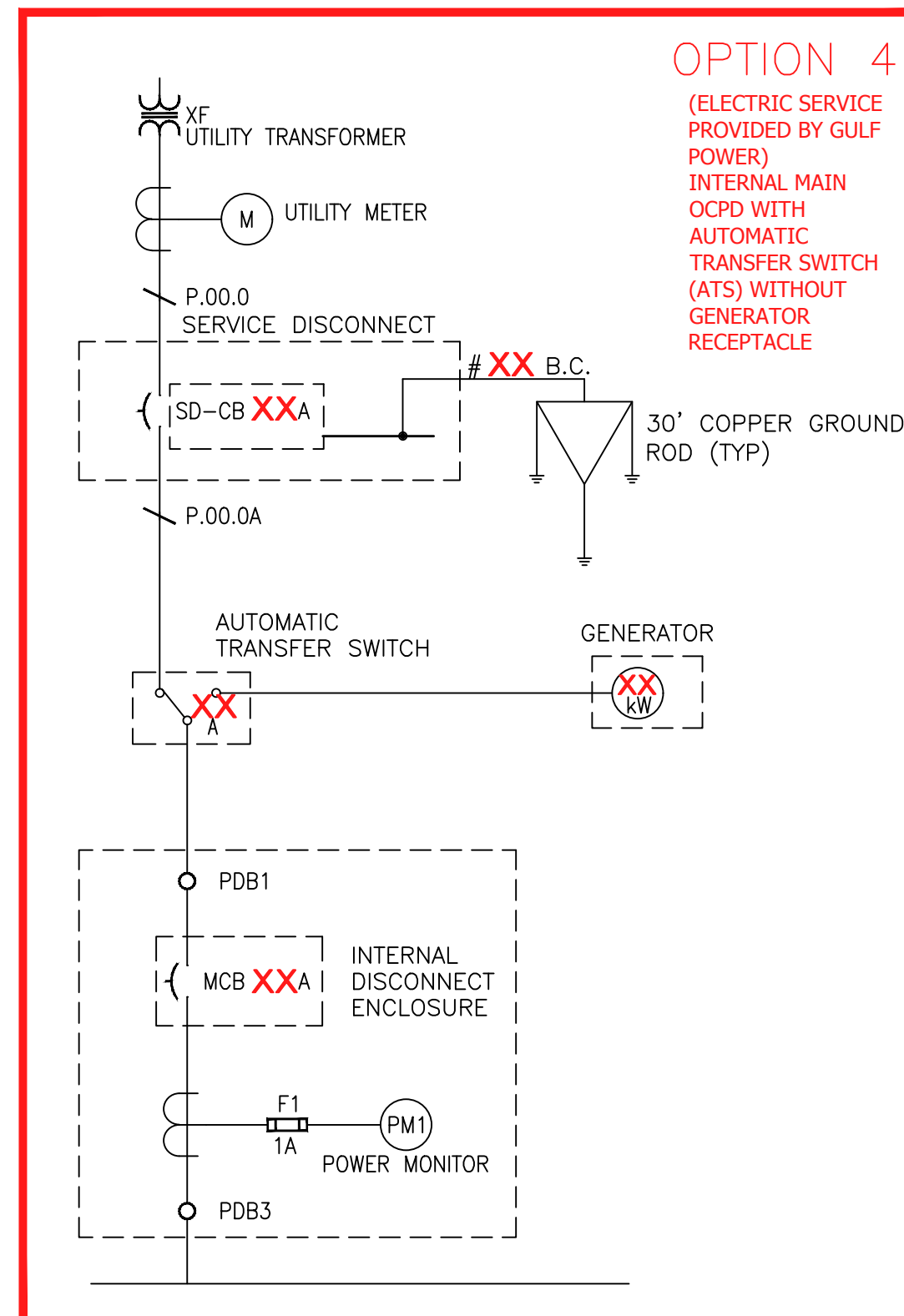
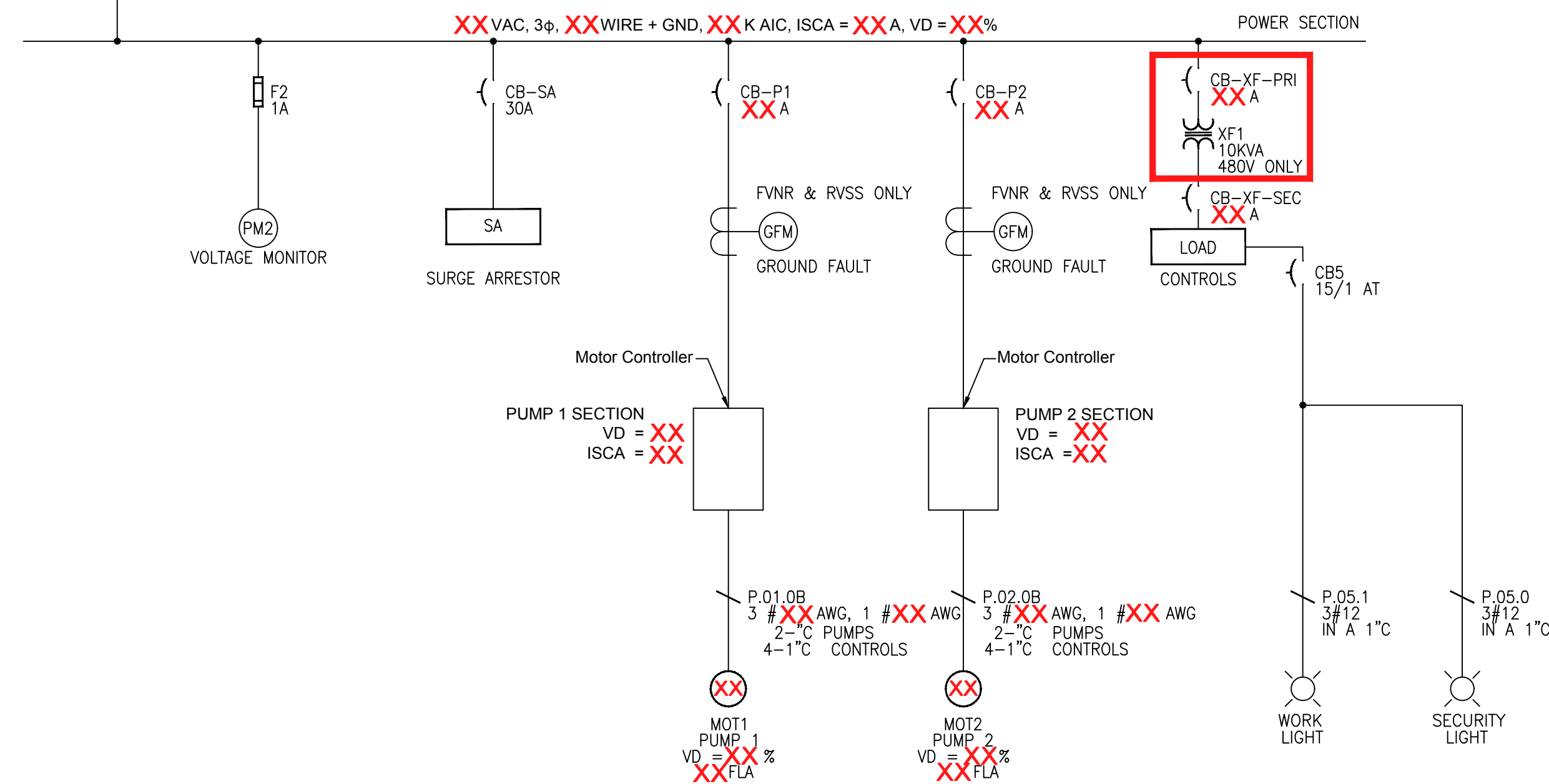


Instructions:
Select the appropriate main electrical feeder option, place above power section, and provide values for all red XX based on project design and F.A.C. Chapter 61G15-33.003



LOAD LIST					
LOAD #	BREAKER #	DESCRIPTION	POWER (HP)	POWER (VA)	AMPS
1	CB-P1	PUMP1 MOTOR	XX	XX	XX
2	CB-P2	PUMP2 MOTOR	XX	XX	XX
3	CB-XF-PRI	10KVA TRANSFORMER	XX	XX	XX
TOTAL LOAD					XX

FEEDER MARK	# OF SETS	CONDUIT SIZE	PHASE CONDUCTOR	PHASE NEUTRAL	GROUND CONDUCTOR	CONTROL CONDUCTOR	SOURCE	DESTINATION
P.00.0	1	2"	XX	N/A	XX	N/A	UTILITY METER	SERVICE DISCONNECT
P.00.0A	1	2"	XX	N/A	XX	N/A	SERVICE DISCONNECT	CONTROL PANEL POWER SECTION
P.01.0B	1	1"	XX	N/A	XX	N/A	CONTROL PANEL PUMP1 SECTION	PUMP #1 MOTOR
P.02.0B	1	1"	XX	N/A	XX	N/A	CONTROL PANEL PUMP2 SECTION	PUMP #2 MOTOR
P.05.0	1	1"	1#12 AWG	1#12 AWG	1#12 AWG	N/A	CONTROL PANEL POWER SECTION	AREA LIGHTS

ALL OTHER CABLES ARE REFERENCED IN THE CONTROL PANEL DESIGN DRAWINGS

CABLE SCHEDULE