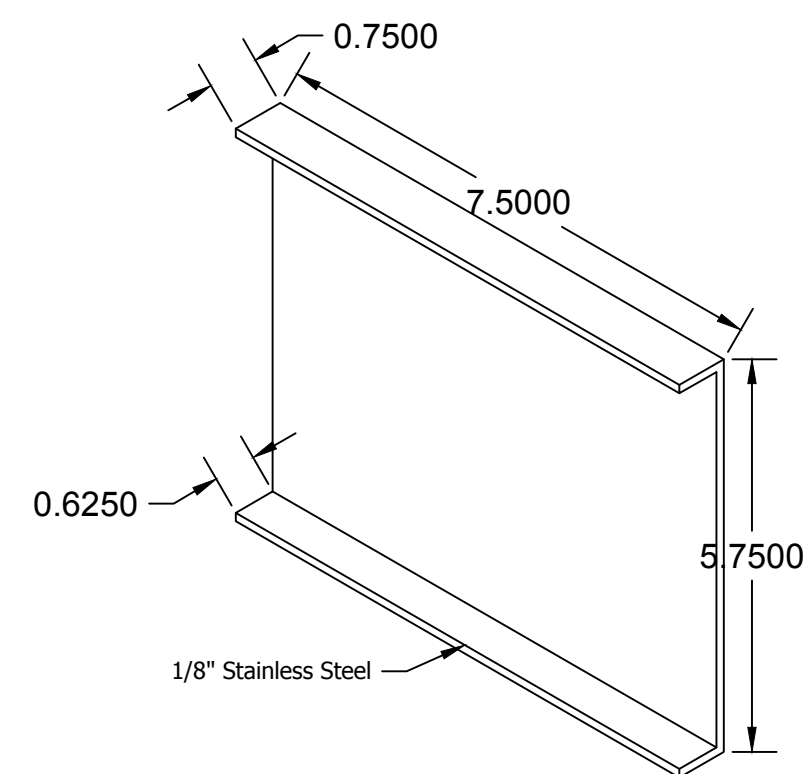
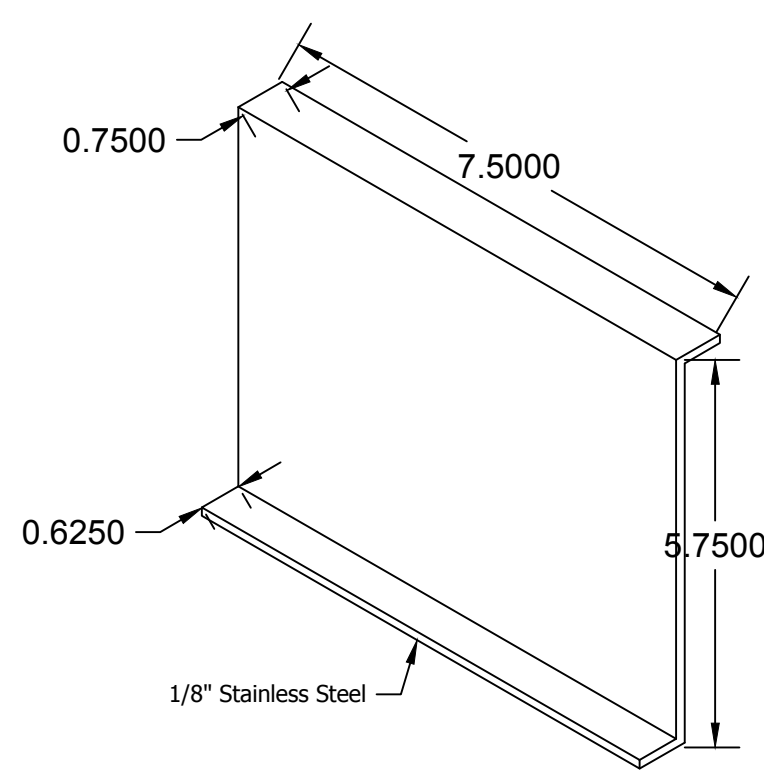


Instructions:
Include this Sheets as
shown.



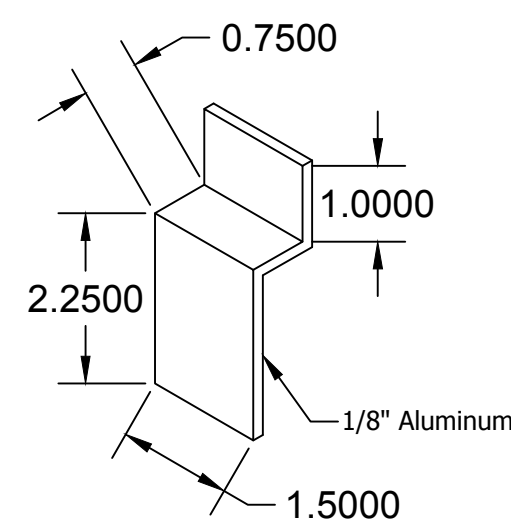
QTY: ____

Detail 1
Stop Side Hinged Standoff
(HINGE-BRACKET1)



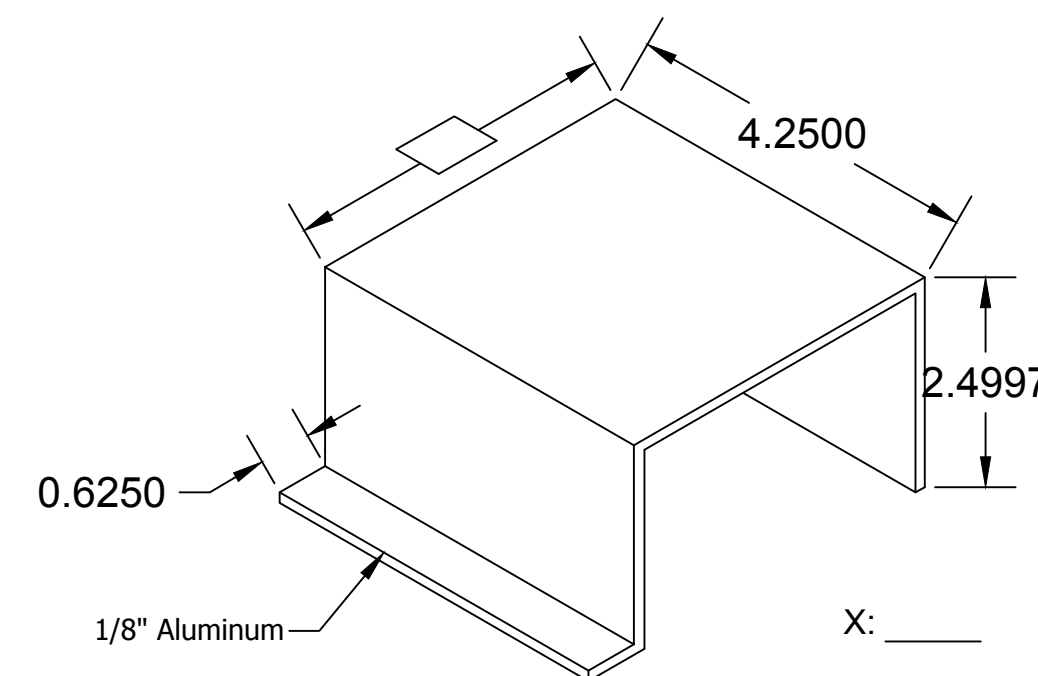
QTY: ____

Detail 2
Hinge Side Hinged Standoff



QTY: ____

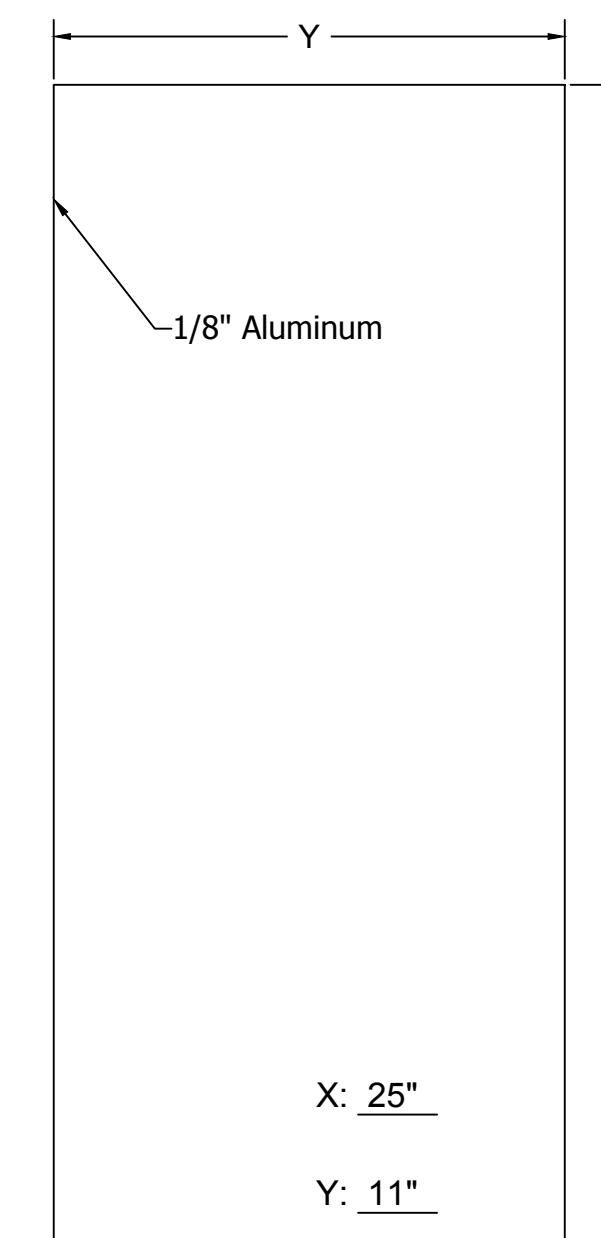
Detail 3
Intrusion Switch Bracket



X: ____

QTY: ____

Detail 4
QOU Door Bracket

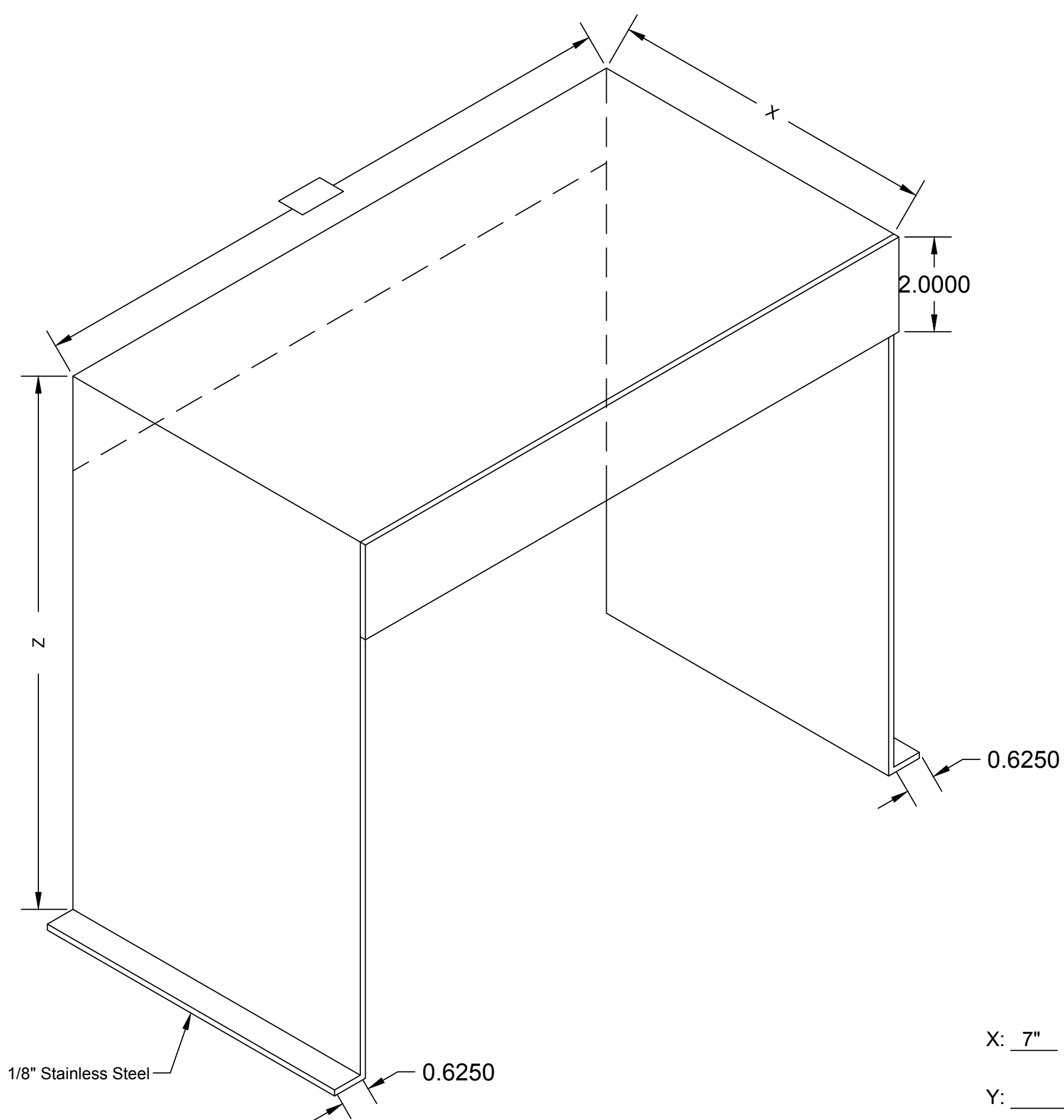


X: 25"

Y: 11"

QTY: ____

Detail 5
Side Panel



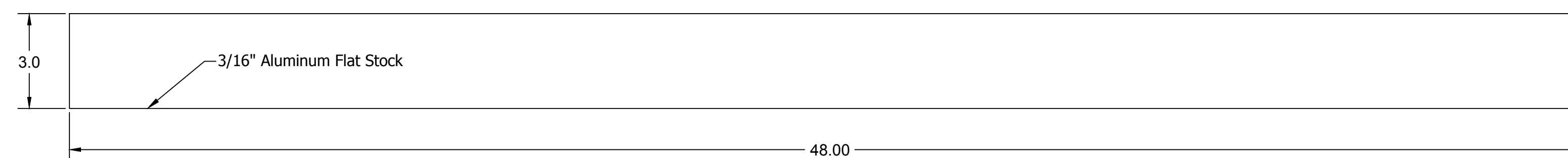
X: 7"

Y: ____

Z: 11-1/4"

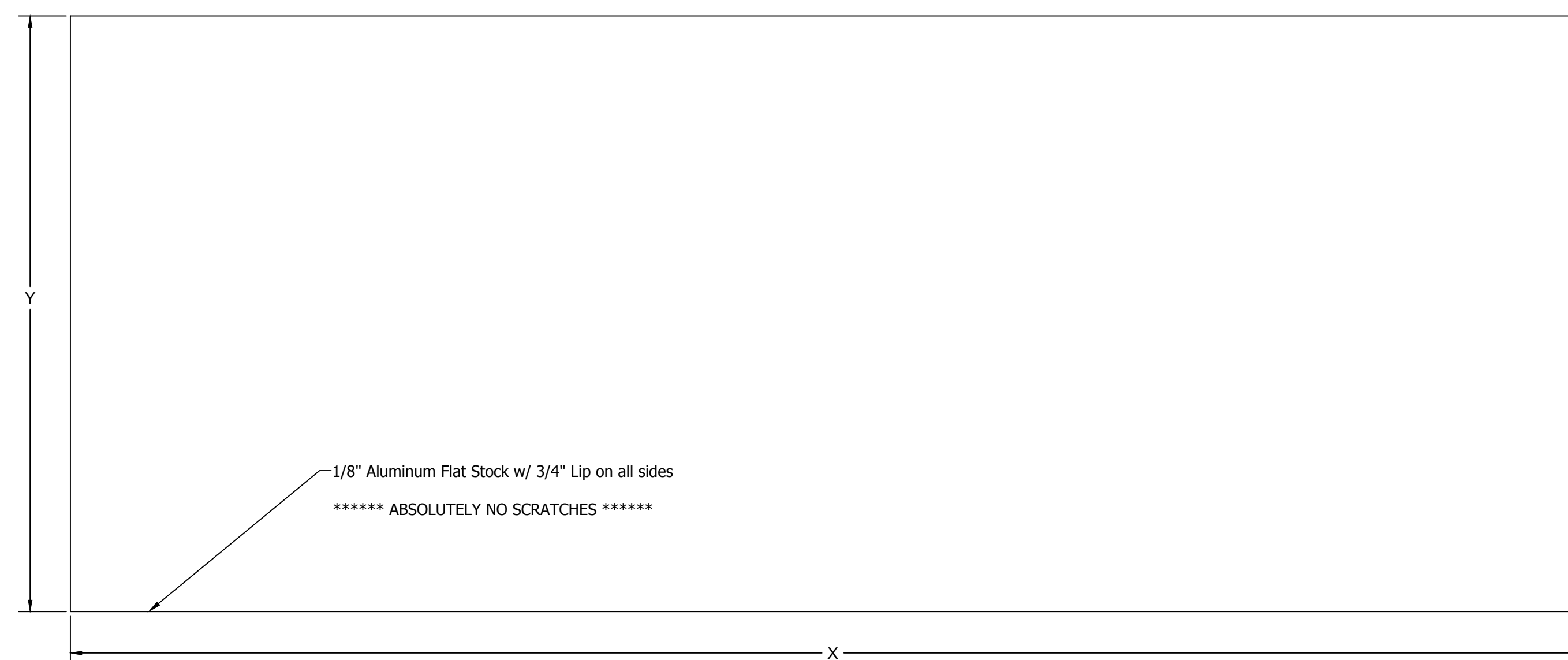
QTY: ____

Detail 6
Breaker Stand



QTY: ____

Detail 7
Hinge Bracket



X: 48"

Y: 18-3/4"

QTY: ____

Detail 8
Dead Front

SEE NOTE #10 ON SHEET DS-0.1