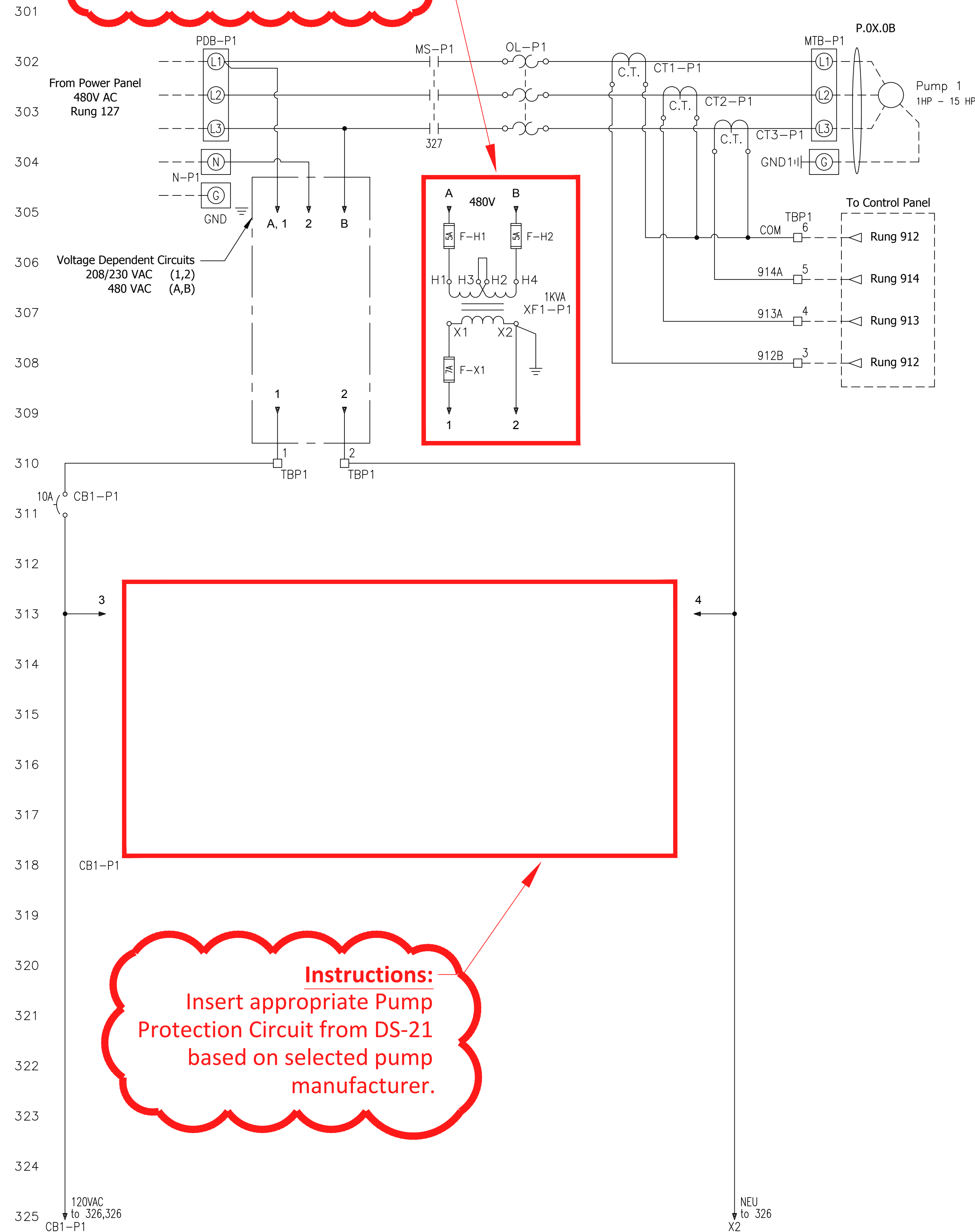
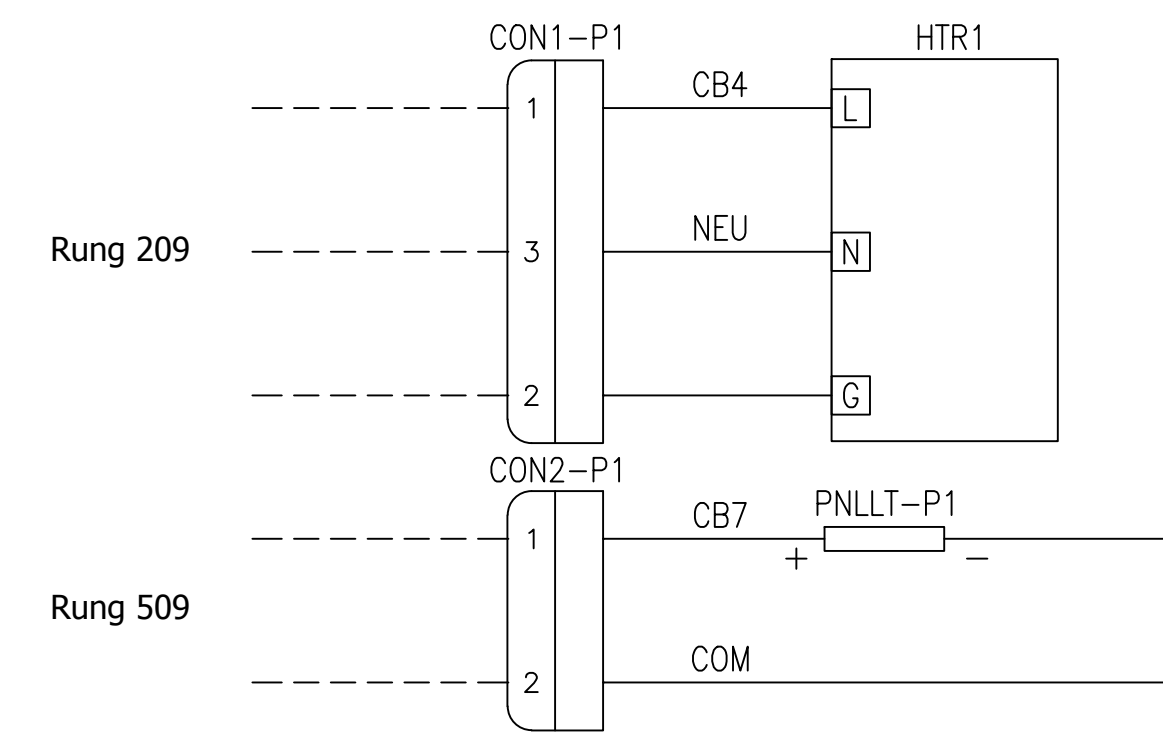
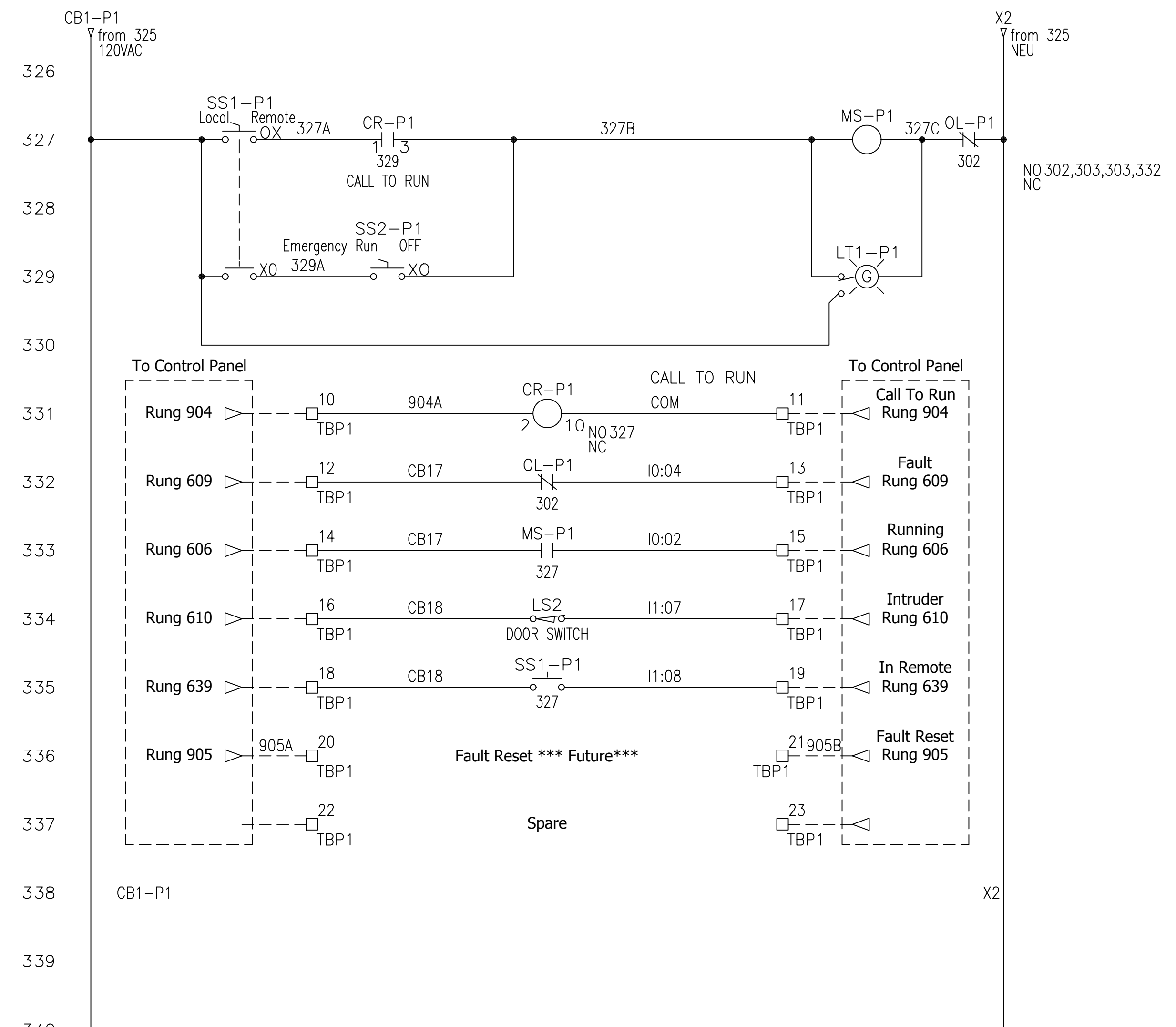


Instructions:
Include for 480V systems,
remove for 208V/240V systems.



Instructions:
Insert appropriate Pump
Protection Circuit from DS-21
based on selected pump
manufacturer.

Instructions:
Select Pump 1 Panel Motor
Starter Schematic from
Sheets DS-18.1.1, DS-18.1.2,
DS-18.1.3, based on Motor
Starter Type.



Pump 1 Panel - MSS - FVNR.dwg

