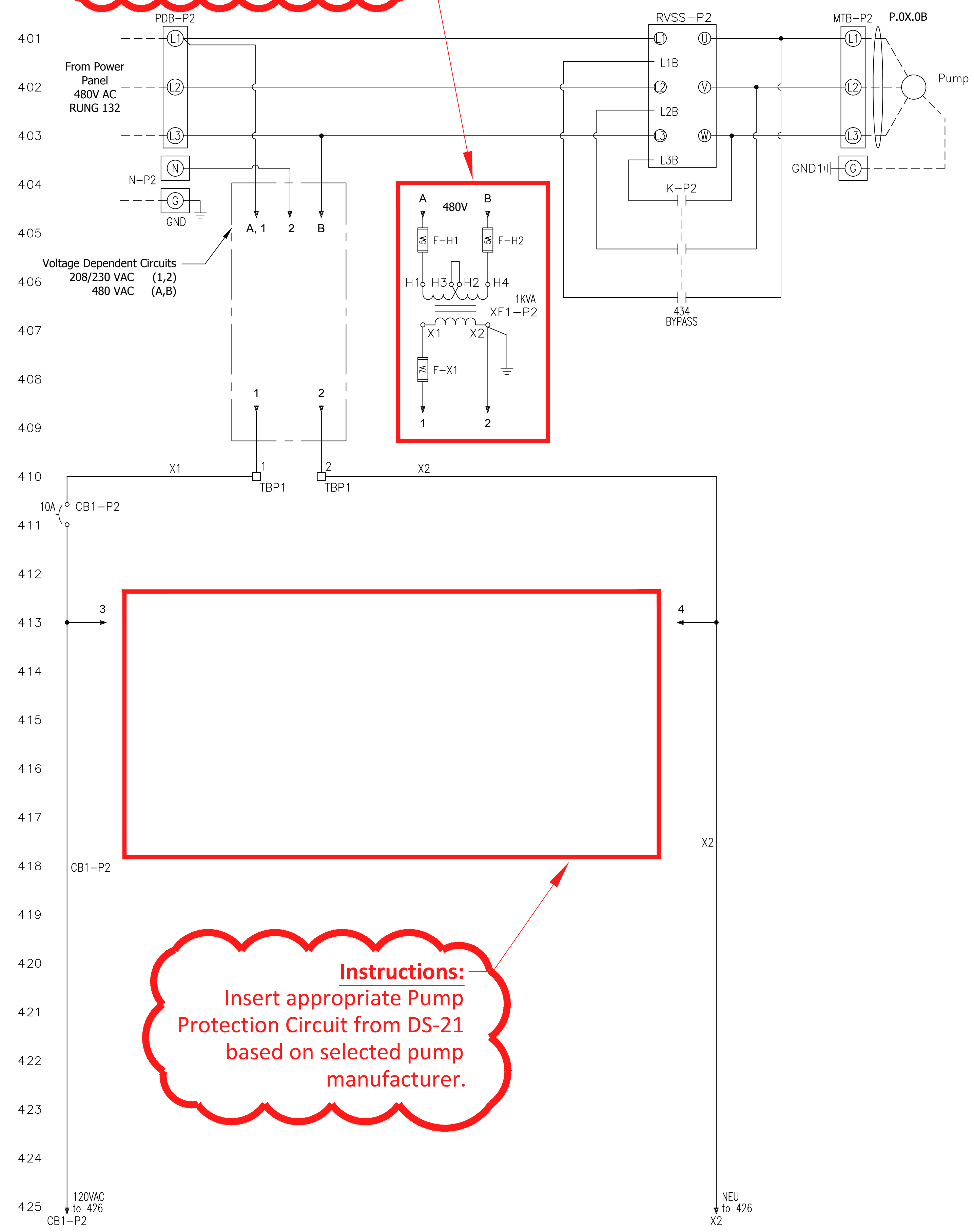


Instructions:
Include for 480V systems,
remove for 208V/240V systems.

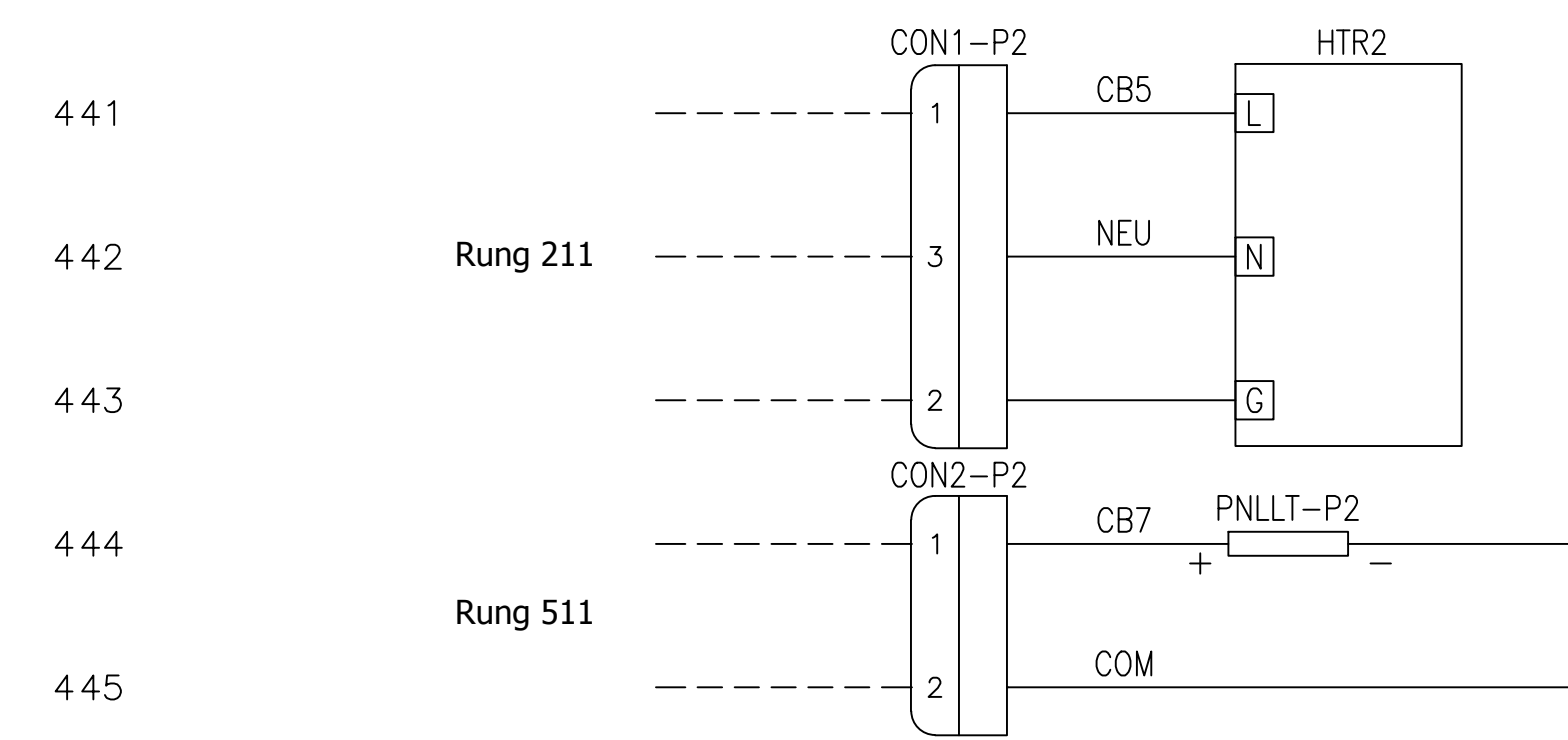
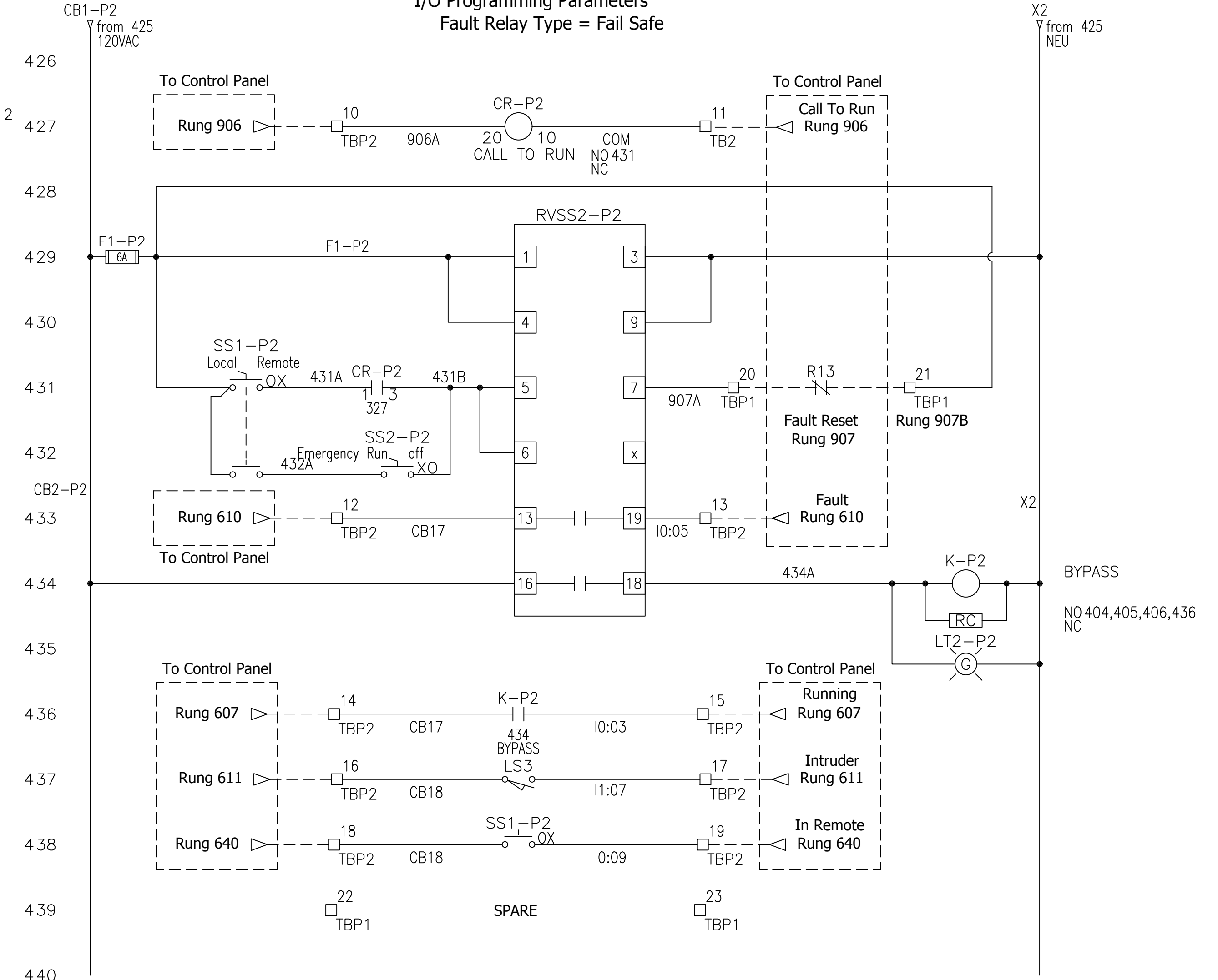


Instructions:
Insert appropriate Pump
Protection Circuit from DS-21
based on selected pump
manufacturer.

RVSS Parameters

Fault Parameters
Fault Reset - Yes

I/O Programming Parameters
Fault Relay Type = Fail Safe



Instructions:
Select Pump 2 Panel Motor
Starter Schematic from
Sheets DS-18.2.1, DS-18.2.2,
DS-18.2.3, based on Motor
Starter Type.

SEE NOTE #10 ON SHEET DS-0.1

Pump 2 Panel - MSS - RVSS.dwg



SHEET NO.
DS-18.2.2

DATE: 9/01/2016