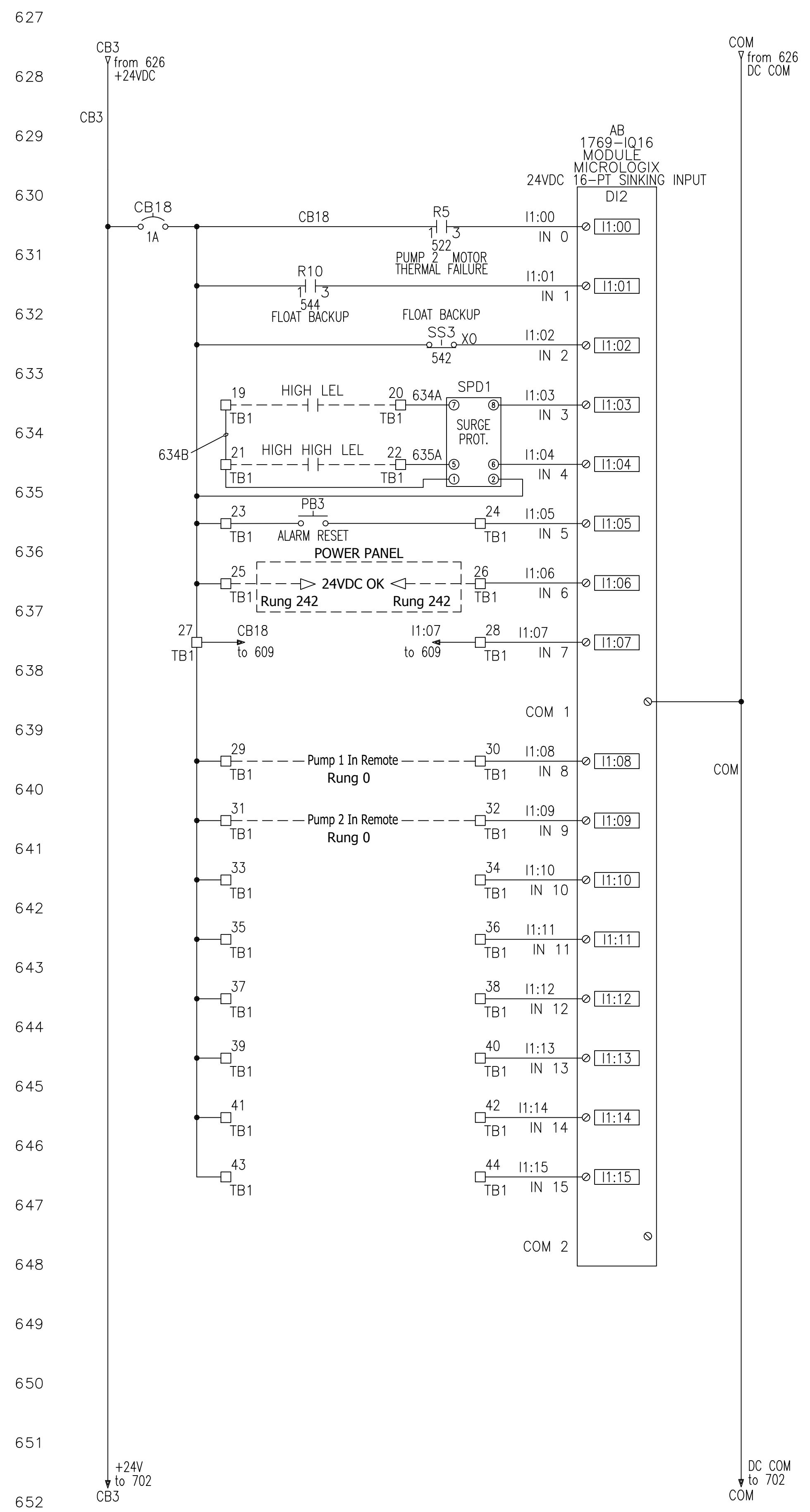
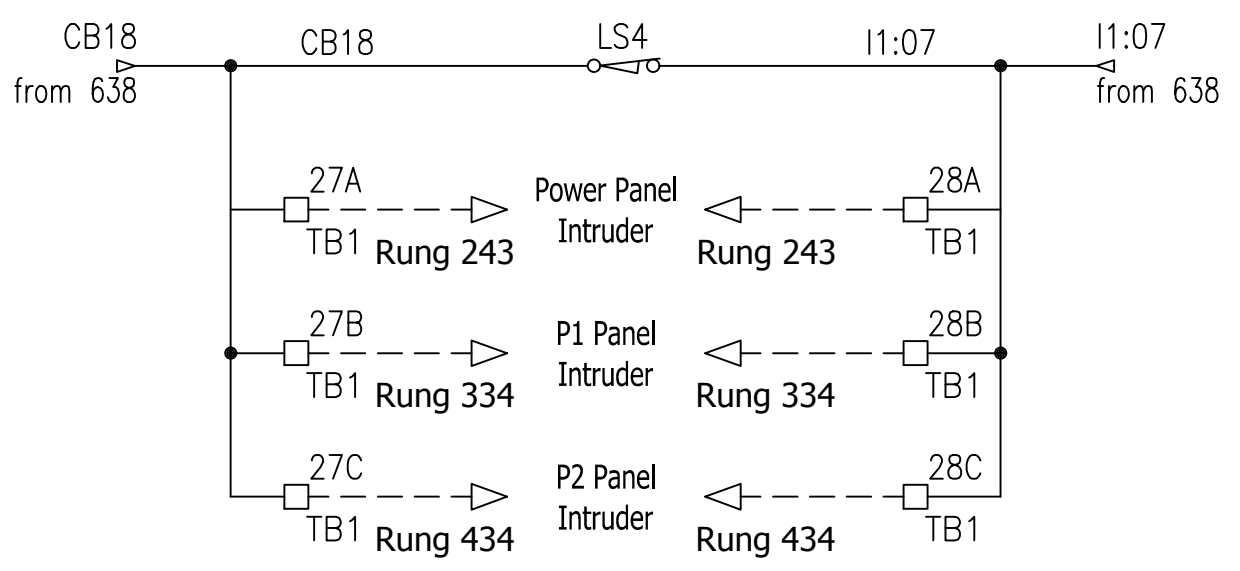
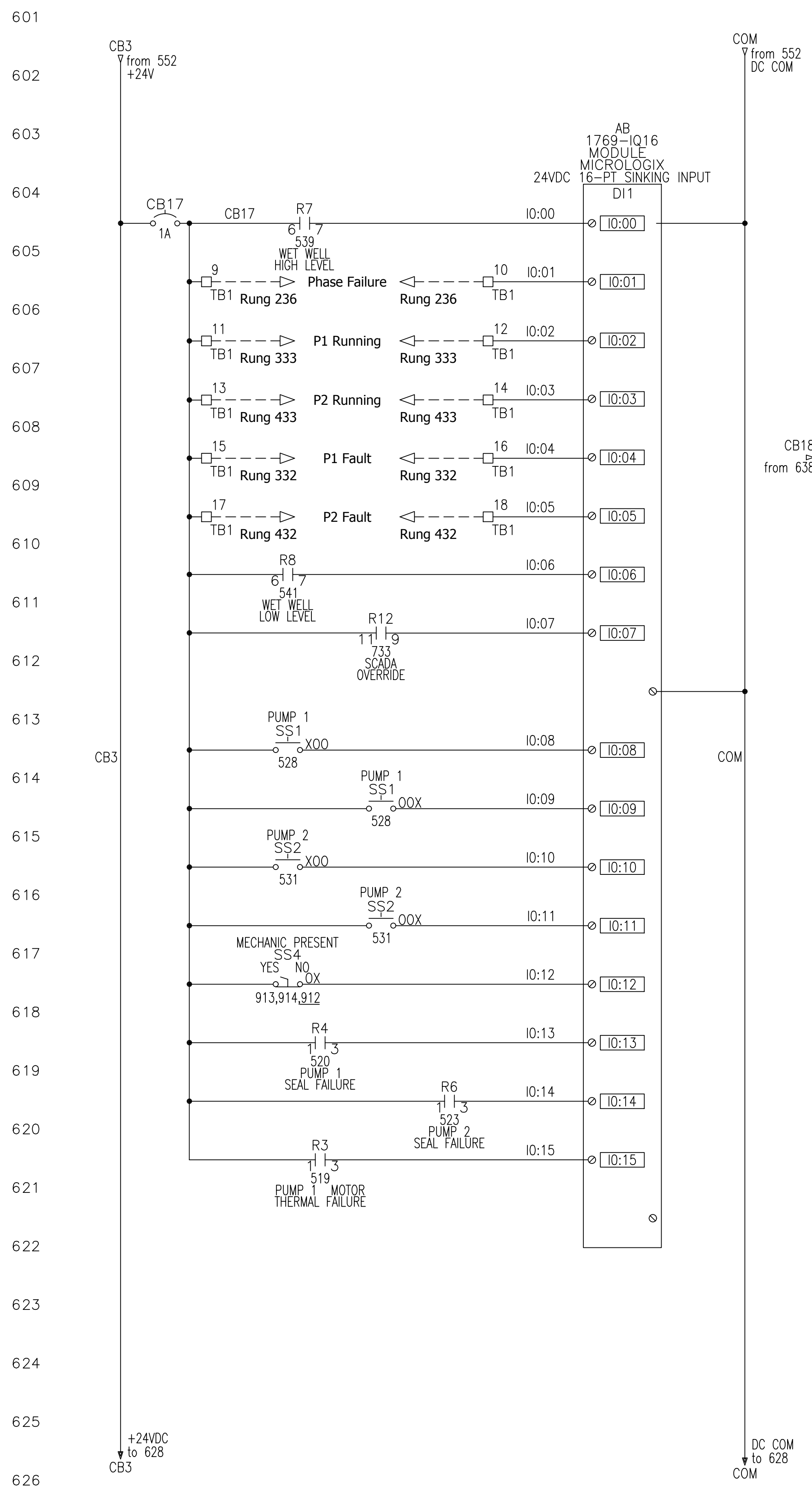


Instructions:
Include this Sheet
as shown.



Control Panel - Digital Inputs Schematic.dwg



SHEET NO.
DS-23

DATE: 9/01/2016

SEE NOTE #10 ON SHEET DS-0.1