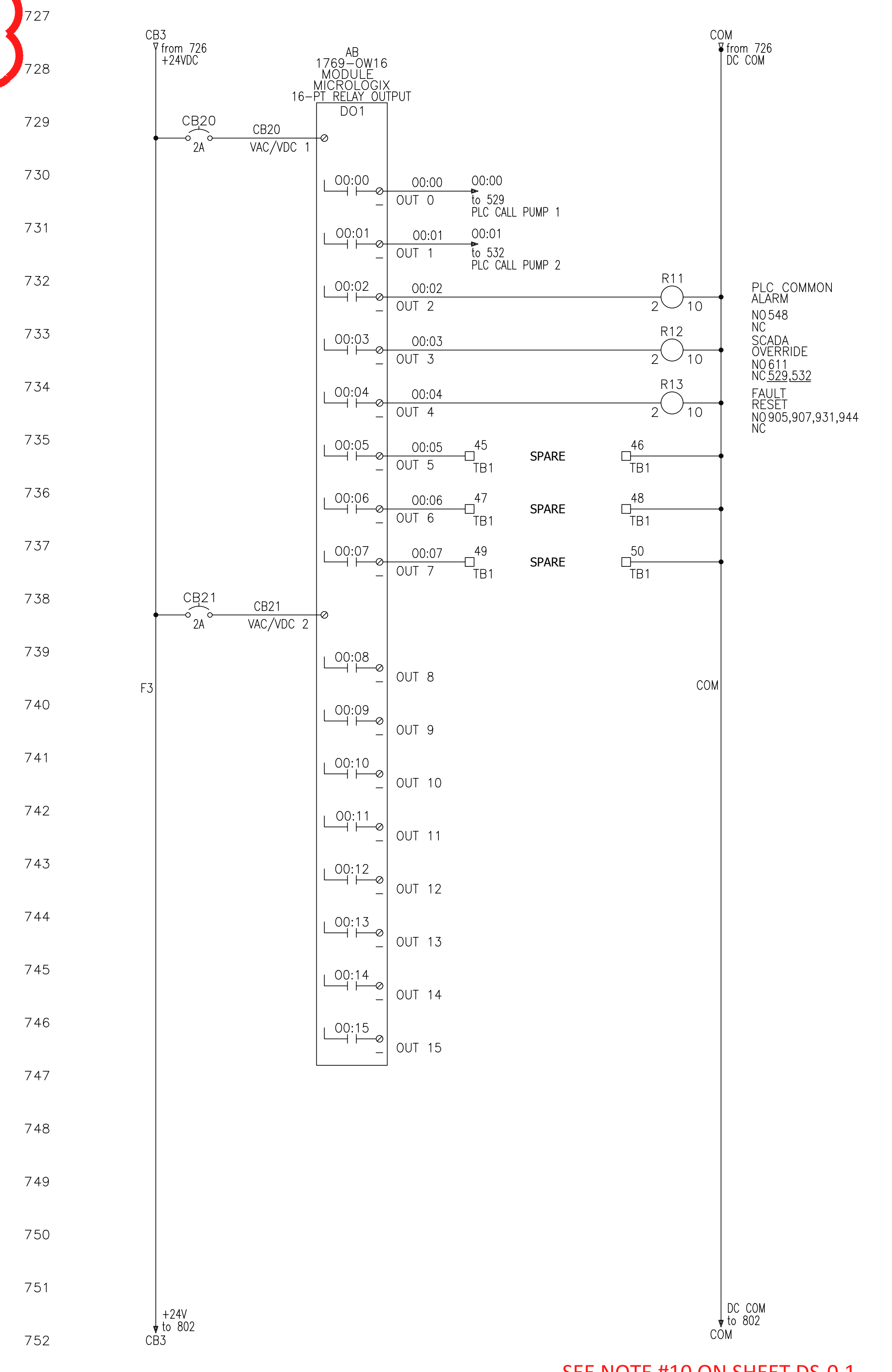
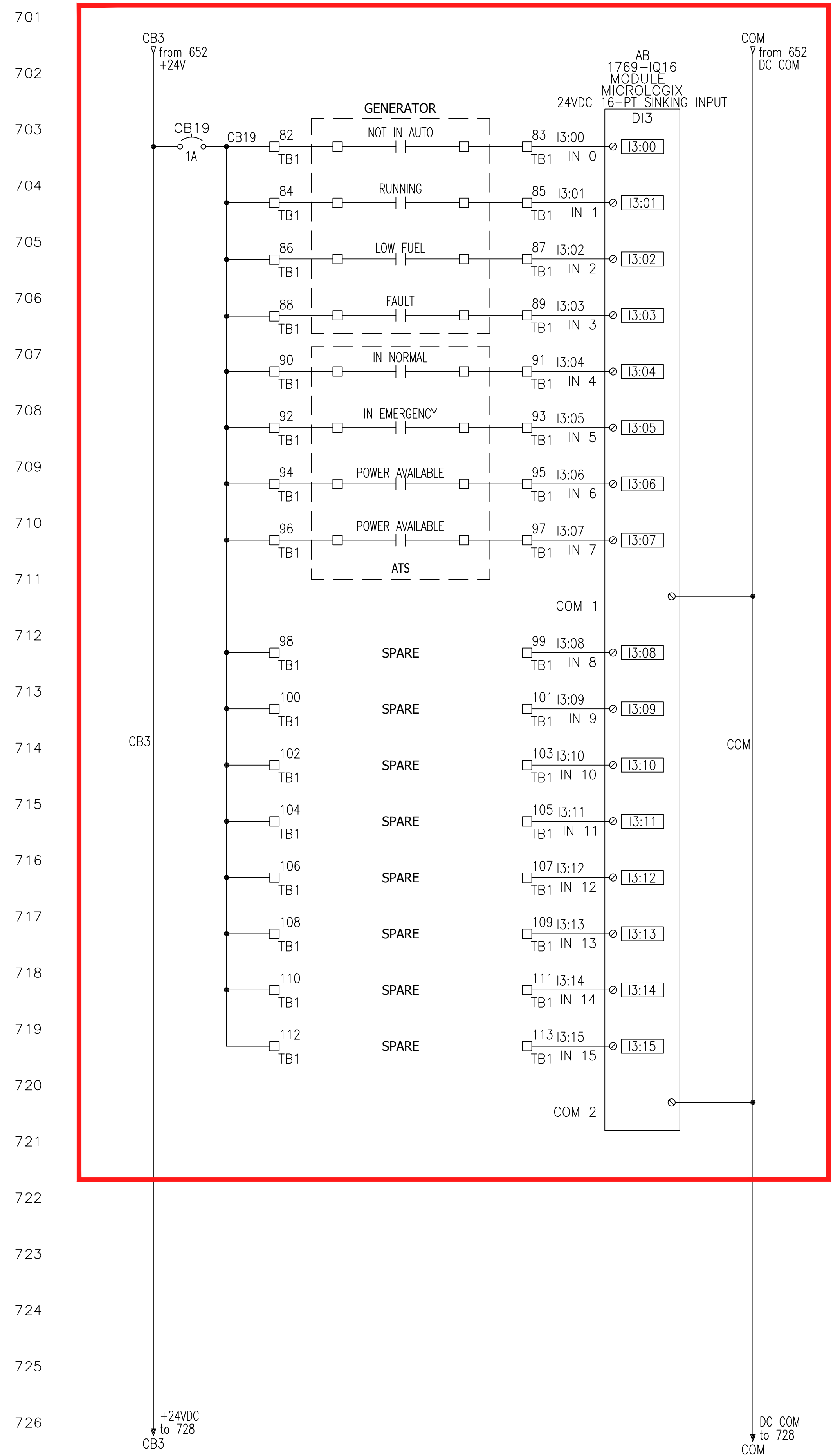


**Instructions:**  
 Include this Sheet. Only include this schematic for Feeder Options 4 and 5.



SEE NOTE #10 ON SHEET DS-0.1