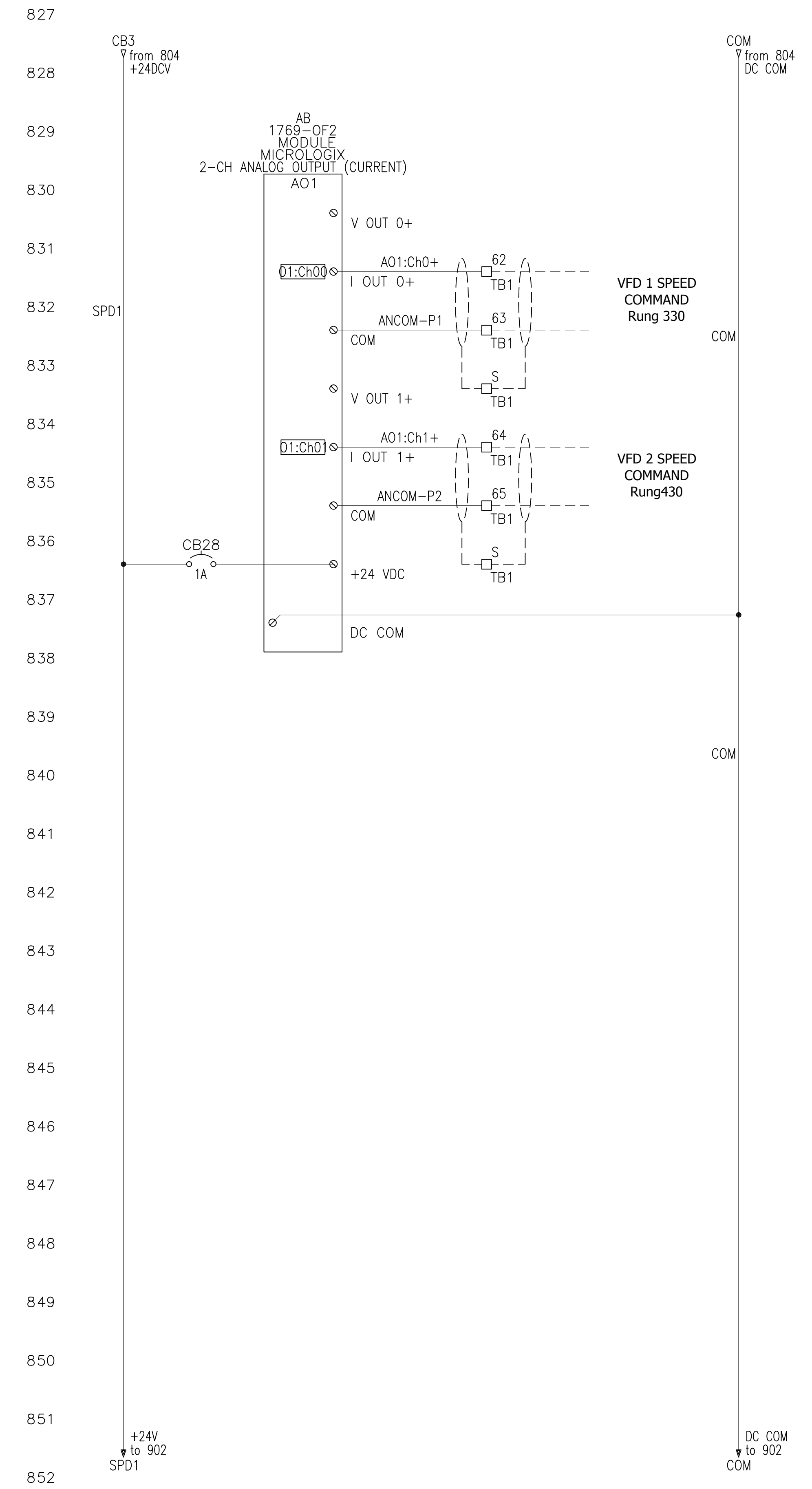
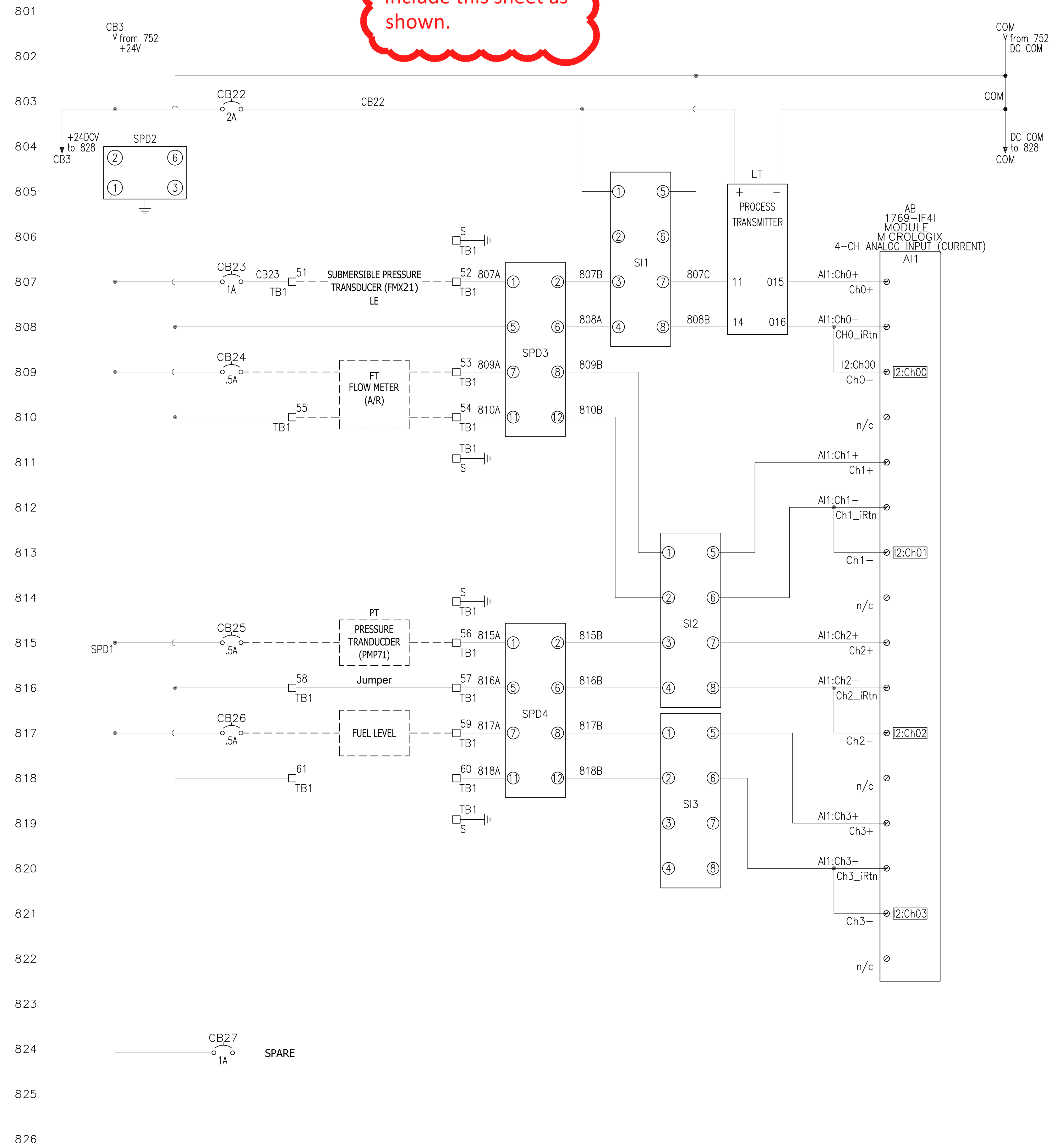


Instructions:
Include this sheet as shown.



Control Panel - Analog Inputs and Outputs Schematic.dwg



SHEET NO.
DS-25

DATE: 9/01/2016

SEE NOTE #10 ON SHEET DS-0.1