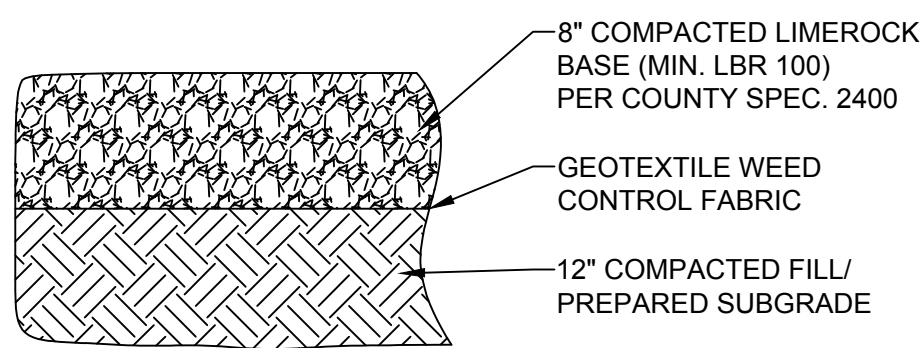


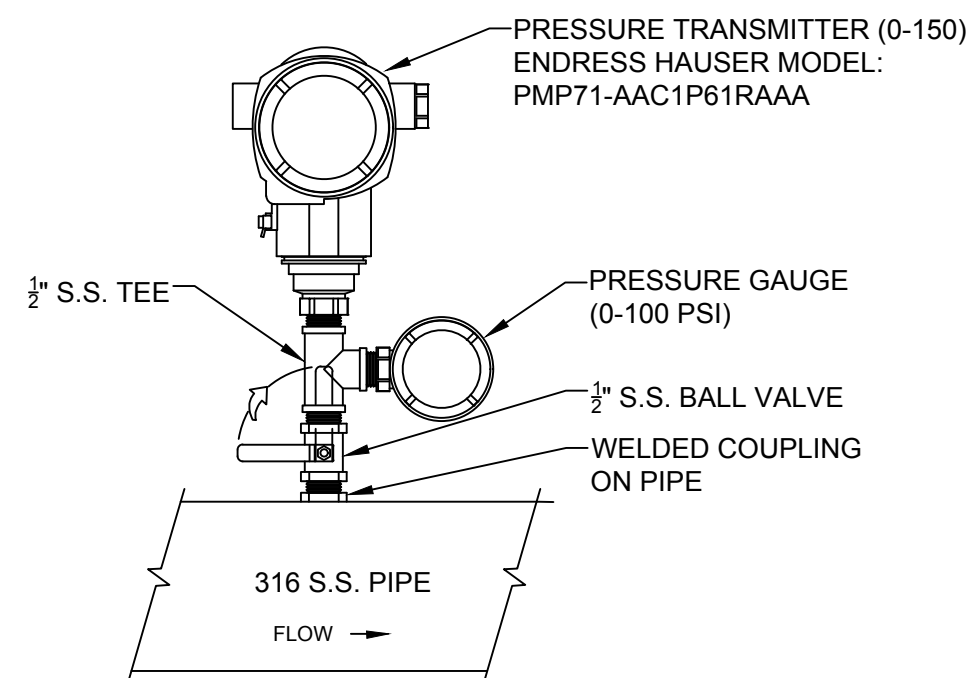
**Instructions:**  
Include this sheet as shown.



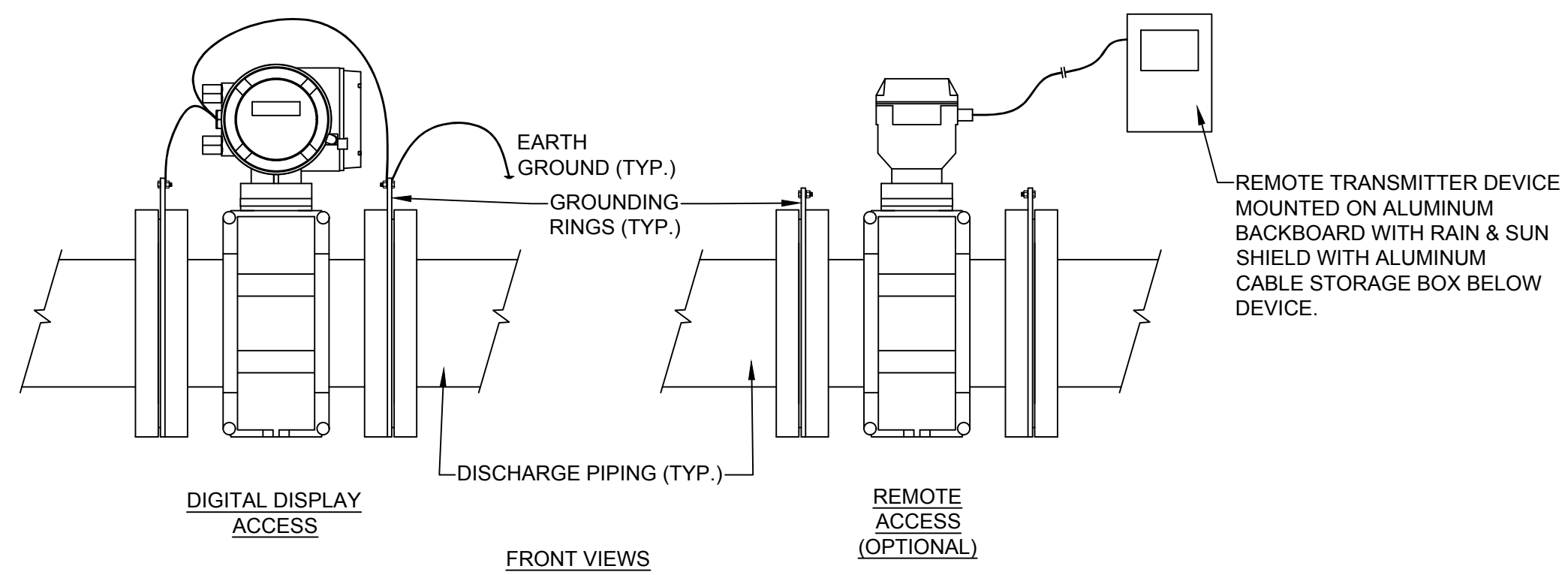
**NOTES:**

1. ALL DEPTHS ARE COMPACTED DEPTHS.
2. PREPARE SUBGRADE BY CLEARING AND GRUBBING, STRIPPING TOPSOIL AND PLACING GEOTEXTILE FABRIC.
3. FILL FOR LIFT STATION SITE SHALL BE SAND MECHANICALLY COMPACTED TO 95% MODIFIED PROCTOR DENSITY IN MAXIMUM 12-INCH LIFTS LOOSE MEASUREMENT TO ACHIEVE CORRECT GRADE.

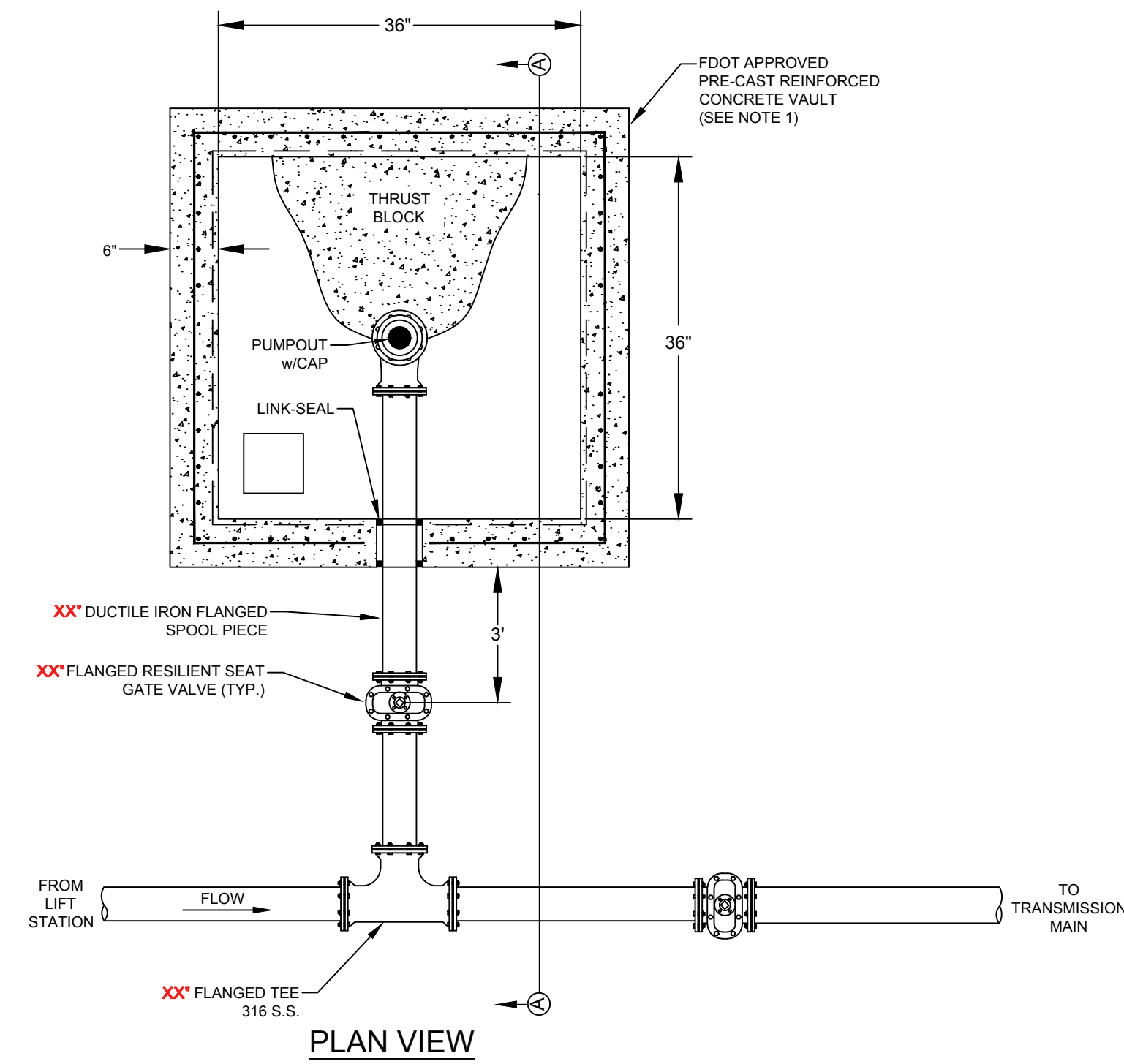
**8 GRADED AGGREGATE BASE DETAIL**  
NOT TO SCALE



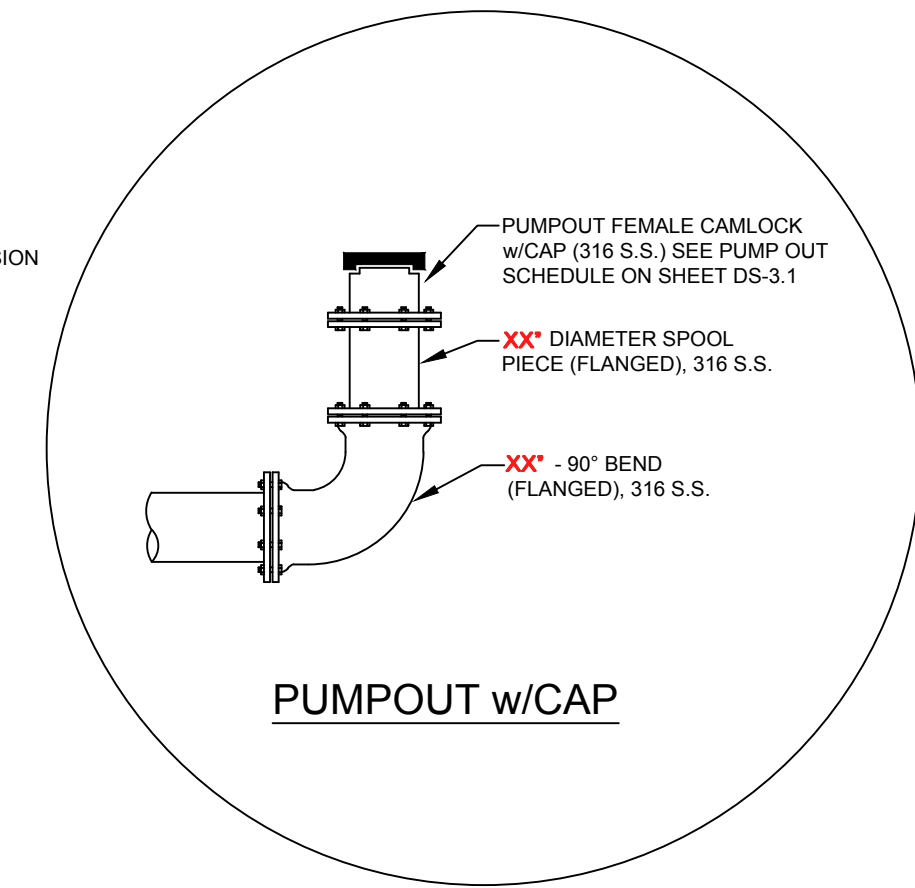
**9 PRESSURE TRANSMITTER DETAIL**  
NOT TO SCALE



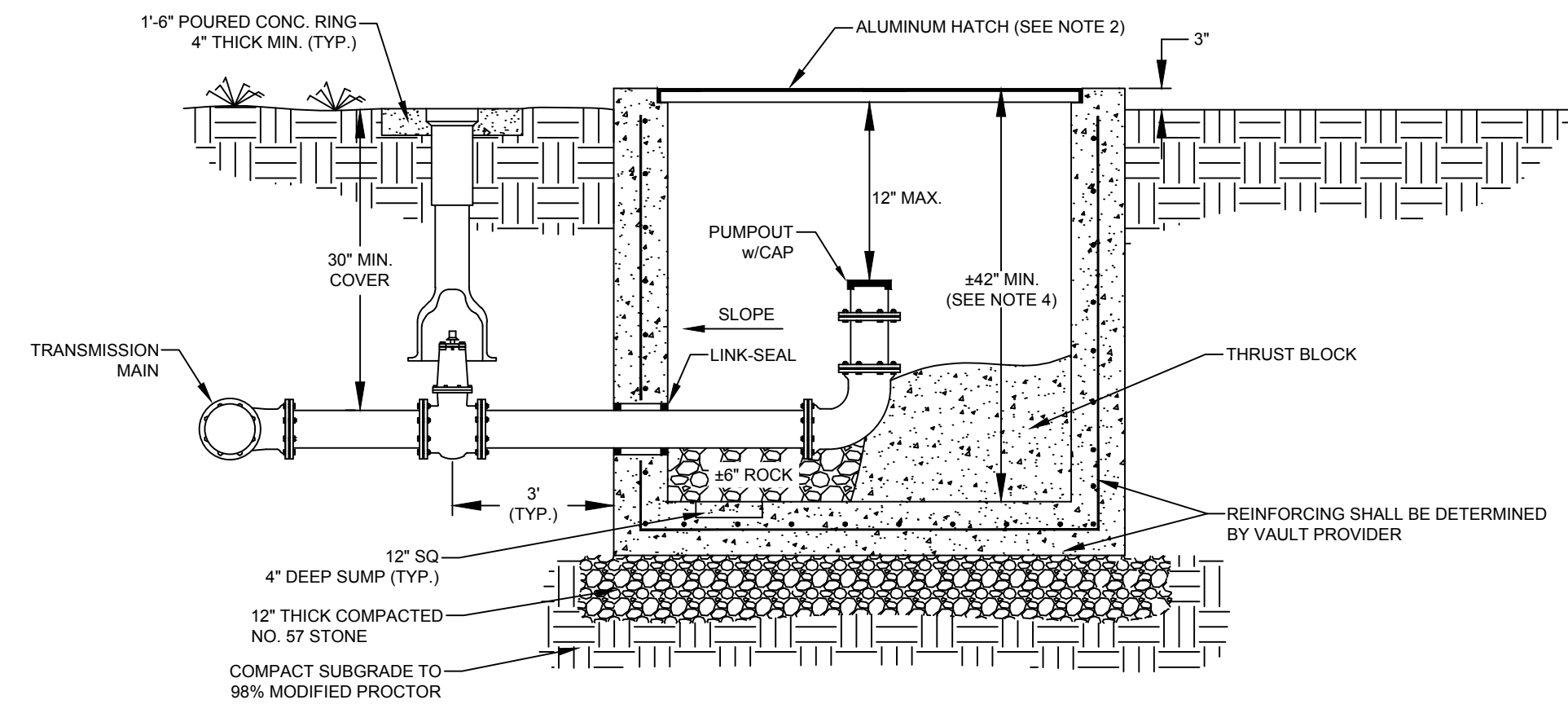
**10 FLOW METER DETAILS**  
NOT TO SCALE



**PLAN VIEW**



**PUMPOUT w/CAP**



**CROSS SECTION 'A-A'**

**NOTES:**

1. VAULT & HINGED HATCH SHALL BE RATED FOR H-20 LOAD RATING.
2. 36" X 36" H-20 RATED ALUMINUM SINGLE LEAF HATCH WITH HINGES LOCATED ON THE OPPOSITE SIDE OF DRIVE, WITH 3/4" S.S. PADLOCK BAR, HOLD-OPEN ARM, AND SPRING ASSIST FEATURES.
3. ALL EXPOSED FASTENING HARDWARE & TIE RODS SHALL BE 3/4" S.S.
4. VAULT HEIGHT SHALL BE FIELD DETERMINED

**11 PUMPOUT VAULT DETAIL**  
NOT TO SCALE

