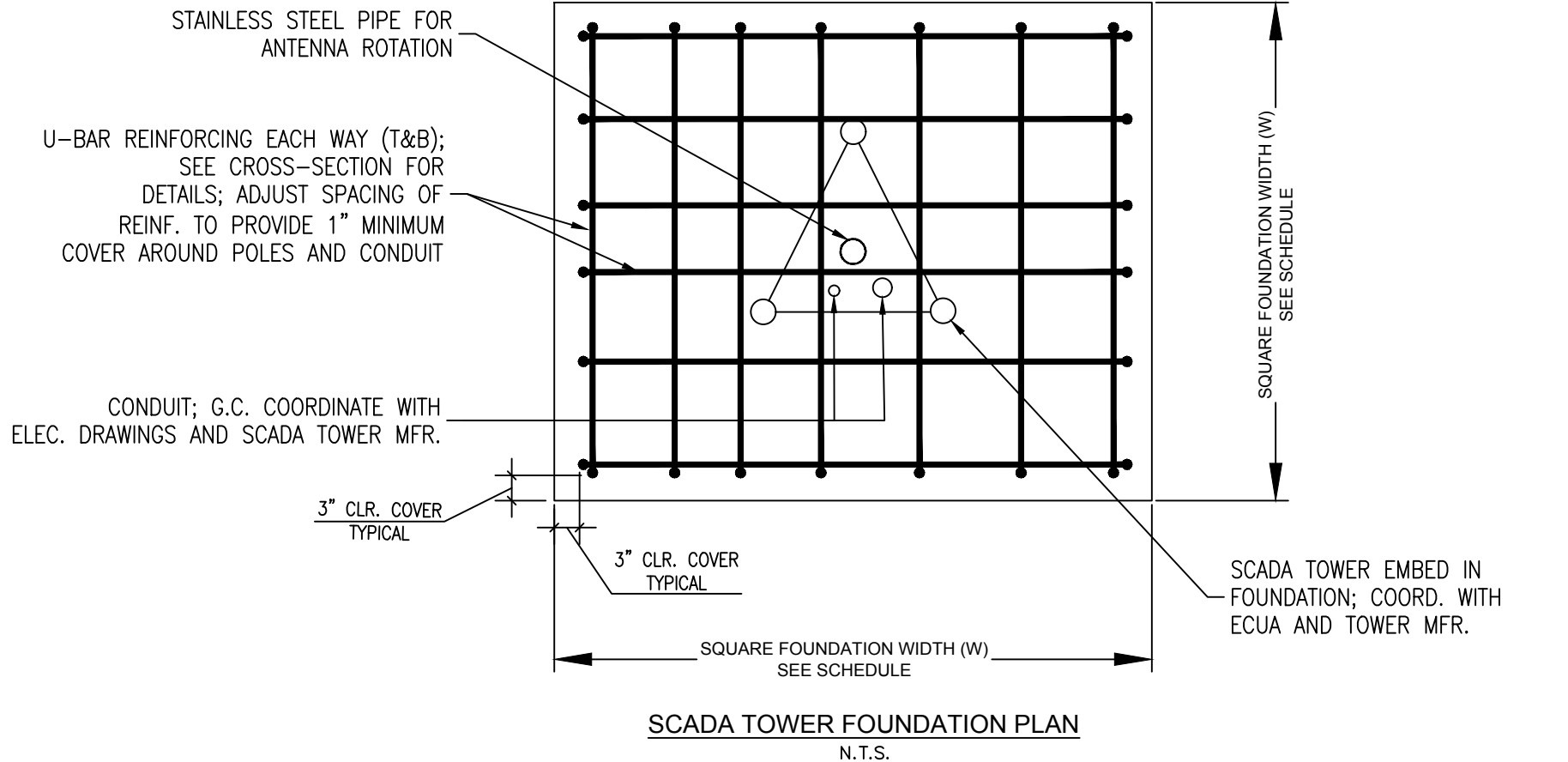
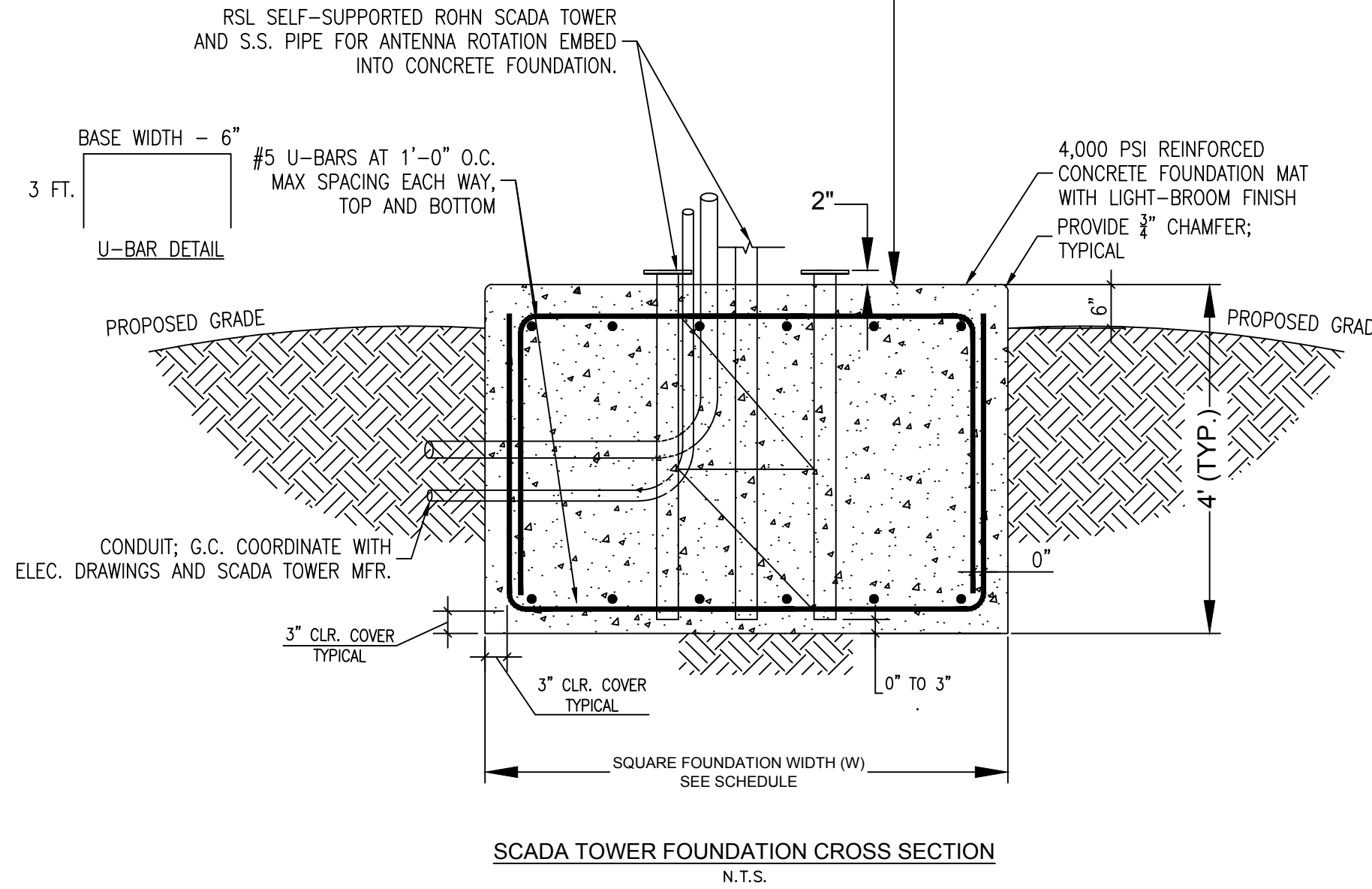


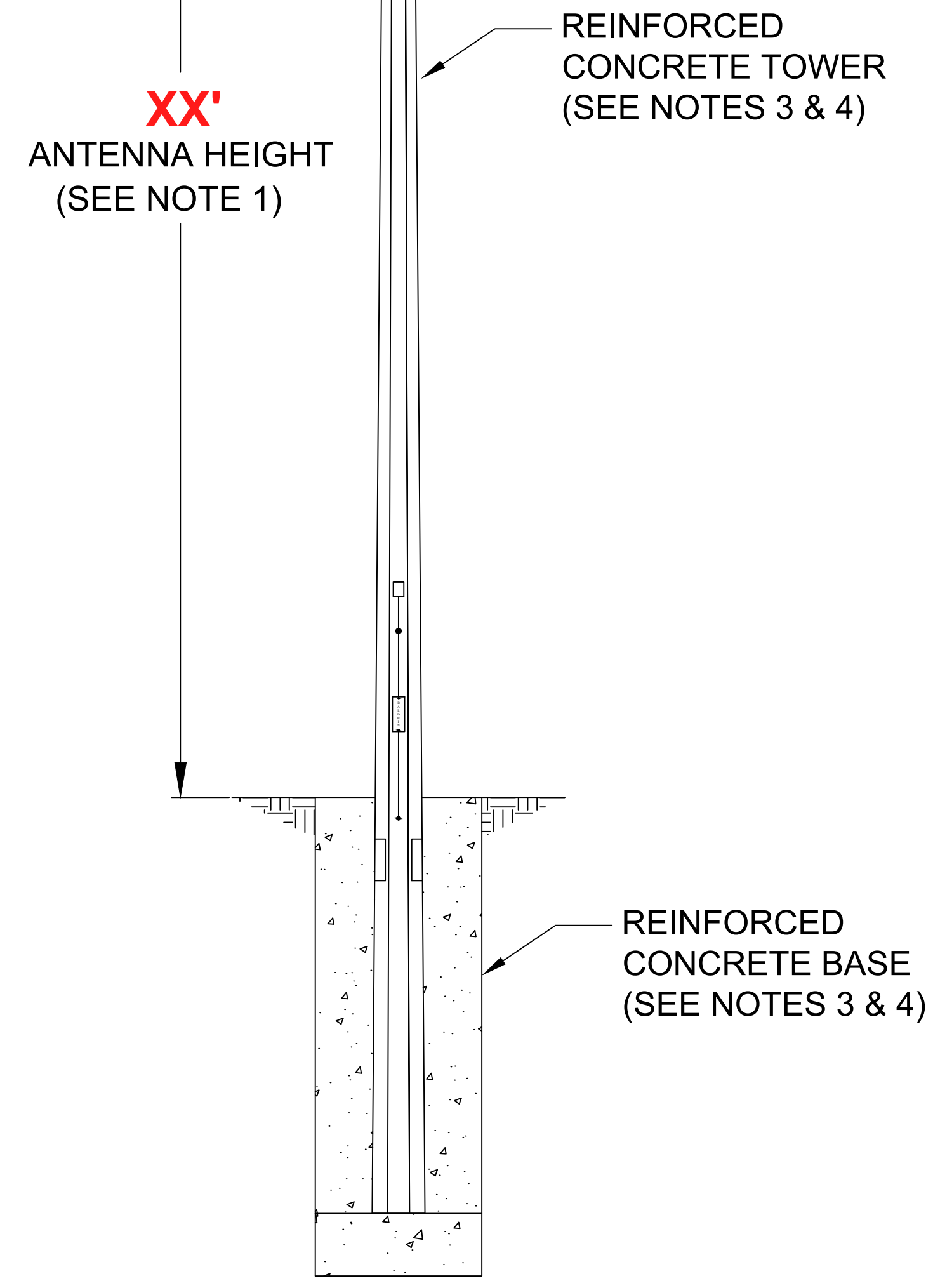
Instructions:
Include this sheet as shown.

SCADA TOWER FOUNDATION SCHEDULE	
MAX ANTENNA HEIGHT ABOVE GRADE	SQUARE FOUNDATION PLAN DIMENSION (W) x (W)
22'	5'-3" x 5'-3"
32'	6'-6" x 6'-6"
42'	8'-6" x 8'-6"
52'	11'-6" x 11'-6"

APPLICABLE OVER ENTIRE ESCAMBIA COUNTY
 SCADA FOUNDATION DETAIL DESIGN ASSUMPTIONS:
 • TOWER: RSL ROHN TOWER WITH TESSCO; #37634 ANTENNA
 • FOUNDATION DESIGN IS BASED ON LOOSE SANDY SOILS TYPICAL OF ESCAMBIA COUNTY
 • ASCE 7-10/FBC 2010 WIND DATA: 164 MPH, EXPOSURE D

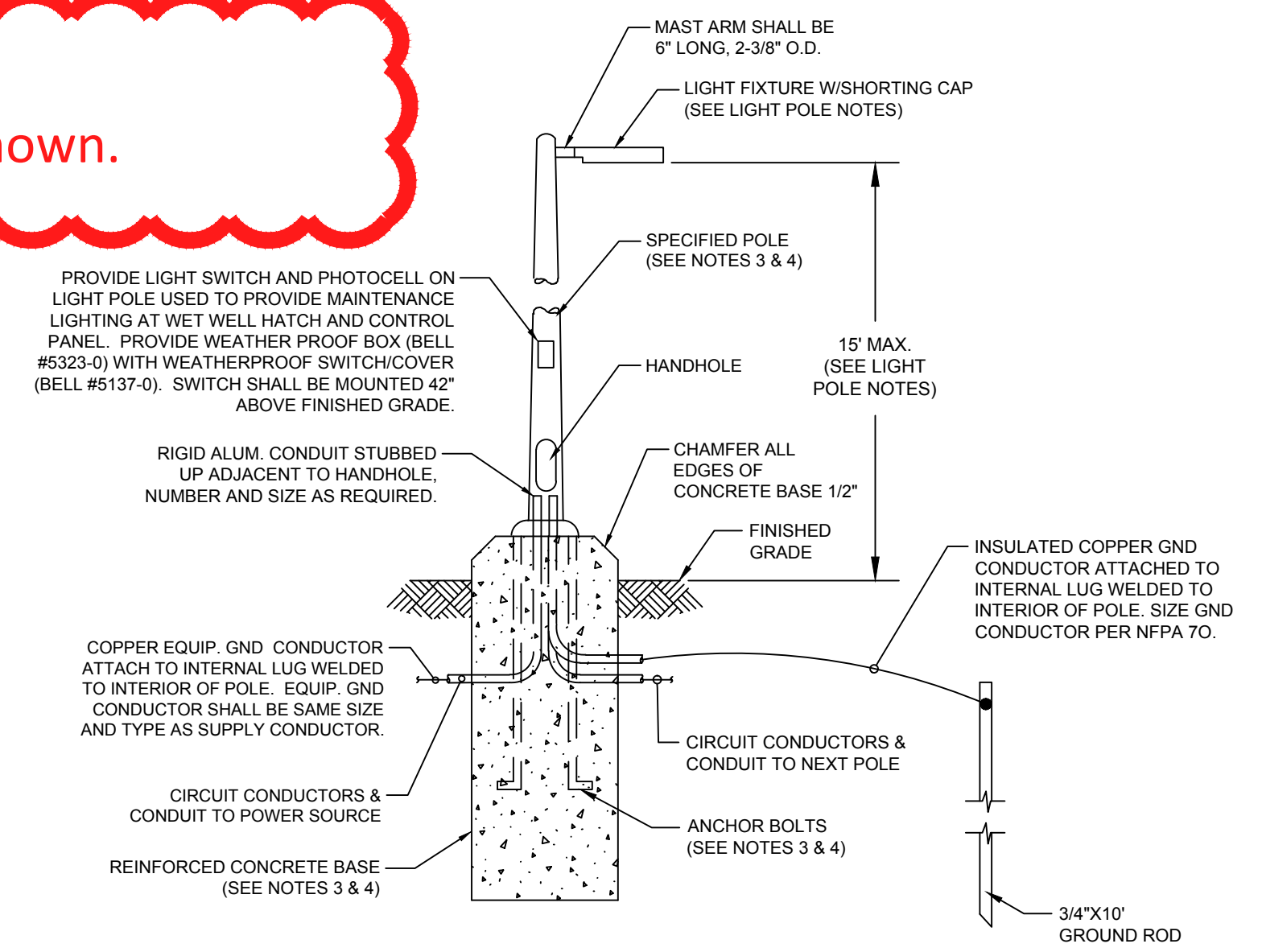


DS-6 ROHN TOWER/BASE FOR SCADA ANTENNA
1 NOT TO SCALE



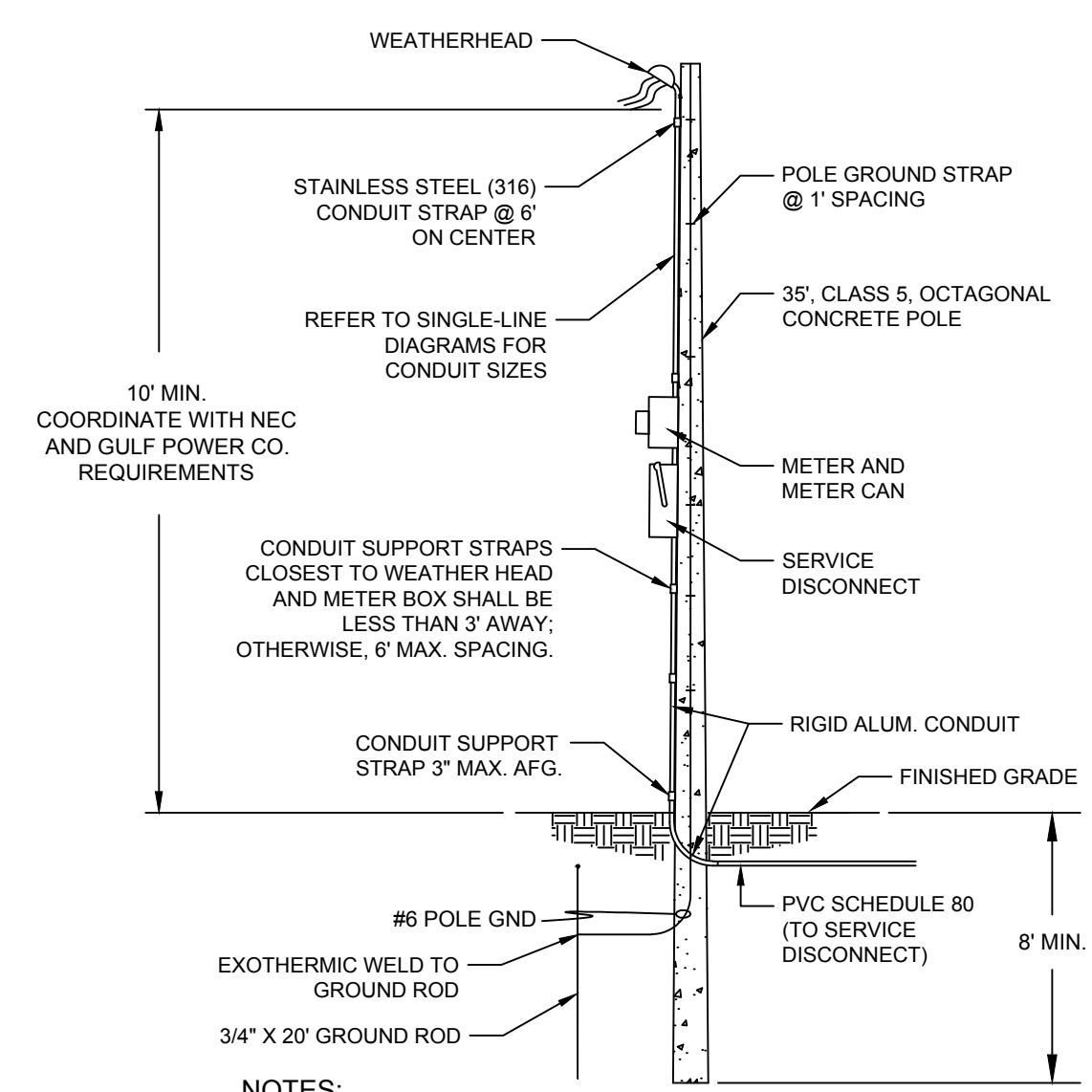
DS-6 CONCRETE TOWER/BASE FOR SCADA ANTENNA
2 NOT TO SCALE

- NOTES:**
1. ANTENNA HEIGHT PER ECUA SUPPLIED RADIO PATH STUDY.
 2. CONTRACTOR CAN SELECT FROM EITHER ANTENNA TOWER OPTION. ROHN TOWER/BASE SHALL BE CONSTRUCTED PER DETAIL THIS SHEET, CONCRETE TOWER/BASE SHALL BE CONSTRUCTED PER DELEGATED ENGINEERING DOCUMENTS.
 3. CONTRACTOR SHALL PROVIDE DESIGN PERFORMED BY FLORIDA LICENSED P.E. AND SHALL INCLUDE DESIGN IN DELEGATED ENGINEERING DOCUMENT.
 4. FOR WIND LOAD CALCULATIONS, ASSUME WIND SPEED OF 164 MPH, EXPOSURE "D" PER ASCE 7-10/FBC 2010 WIND DATA, AS WELL AS LOOSE, SANDY SOILS.



DS-6 SECURITY LIGHT AND WORK LIGHT DETAIL
3 NOT TO SCALE

- LIGHT POLE NOTES:**
- A. FIXTURE SHALL BE LED, (BEACON, VIPER "L" SERIES), (HOLOPHONE, MONGOOSE LED ROADWAY LIGHTING) 120V, WITH PHOTOCONTROL & SWITCH, POLE MOUNTED @ 42" (OR ENGINEER APPROVED EQUAL)
 - B. REFER TO SPECIFICATIONS SECTION 16521 "EXTERIOR LIGHTING" FOR ADDITIONAL REQUIREMENTS.
 - C. LIGHT FIXTURES SHALL BE MOUNTED AT 15'-0" (MAXIMUM) ABOVE FINISHED GRADE.
 - D. LIGHTING FIXTURE LAYOUT SHALL BE BASED UPON ACHIEVING 20 FOOT CANDLES (+/- 20%) AT THE FRONT OF THE CONTROL PANEL (WORK-PLANE OF 24" AFG) AND AT THE WET WELL ACCESS HATCH (WORKPLANE OF 0" AFG).
 - E. GENERAL SECURITY LIGHTING SHALL ENCOMPASS ACCESS GATE AND ALL PIPING/EQUIPMENT AT A MIN. AVERAGE 1 FOOT-CANDLE (+/- 20%, AT WORKPLANE OF 0" AFG).
 - F. REFER TO LIGHTING CONTROL DIAGRAM ON SHEET DS-7 FOR ADDITIONAL REQUIREMENTS.



DS-6 UTILITY POLE DETAIL
4 NOT TO SCALE

NOTES:
 * SERVICE LATERAL CONDUIT SHALL BE 3" (MIN) SCHEDULE 80 PVC BELOW GRADE AND 3" (MIN) RIGID AL CONDUIT ABOVE GRADE. ANY REQUIREMENTS BY THE UTILITY COMPANY SHALL PREVAIL OVER THE REQUIREMENTS OUTLINED HERE AND SHALL BE COORDINATED BY THE ELECTRICAL CONTRACTOR PRIOR TO INSTALLATION.

SEE NOTE #10 ON SHEET DS-0.1

