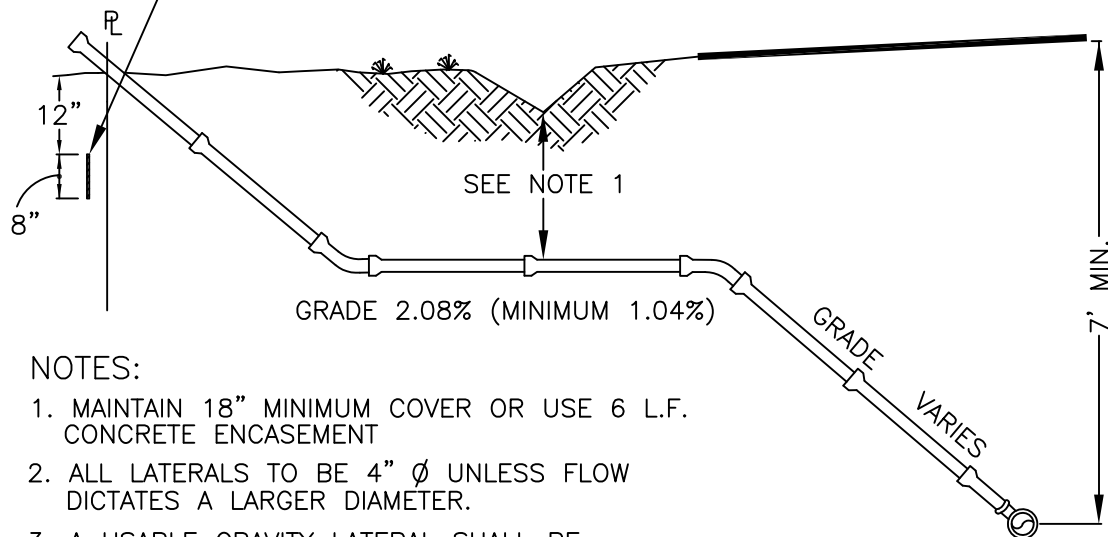


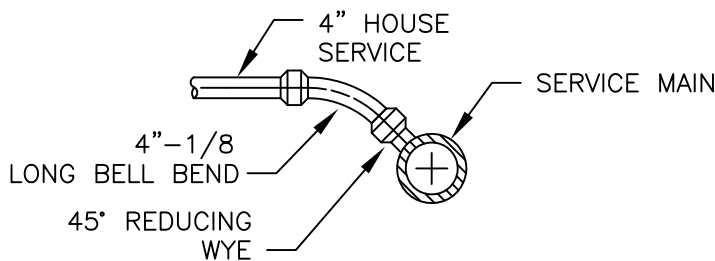
WYE BRANCH (TYP.)

1/2" THICK METAL REBAR ADJACENT TO EACH SERVICE CONNECTION IF LATERAL IS BURIED PRIOR TO CUSTOMER CONNECTION.

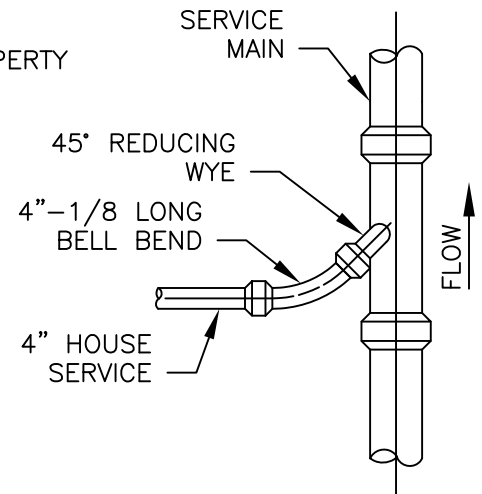


NOTES:

1. MAINTAIN 18" MINIMUM COVER OR USE 6 L.F. CONCRETE ENCASEMENT
2. ALL LATERALS TO BE 4" Ø UNLESS FLOW DICTATES A LARGER DIAMETER.
3. A USABLE GRAVITY LATERAL SHALL BE AVAILABLE TO EACH LOT UNLESS OTHERWISE INDICATED ON CONSTRUCTION PLANS.
4. A CLEAN OUT SHALL BE PROVIDED AT THE PROPERTY LINE FOR ALL 4-INCH AND 6-INCH LATERALS. SEE DETAIL D-2.



SECTION



PLAN



PROPOSED

SCALE: N.T.S.
DATE: 12/18/14

LATERAL SEWER CONNECTION

DETAIL

D-1