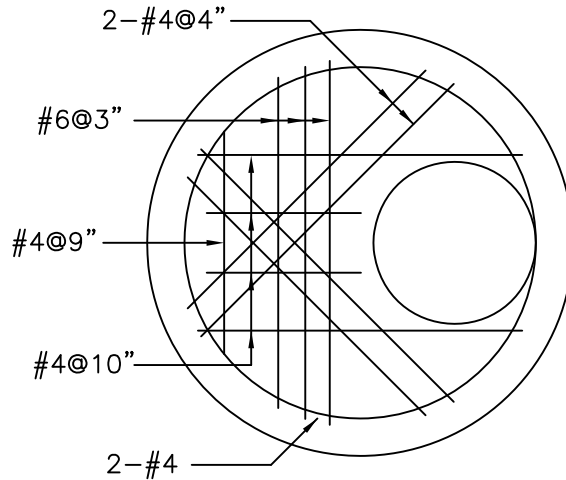
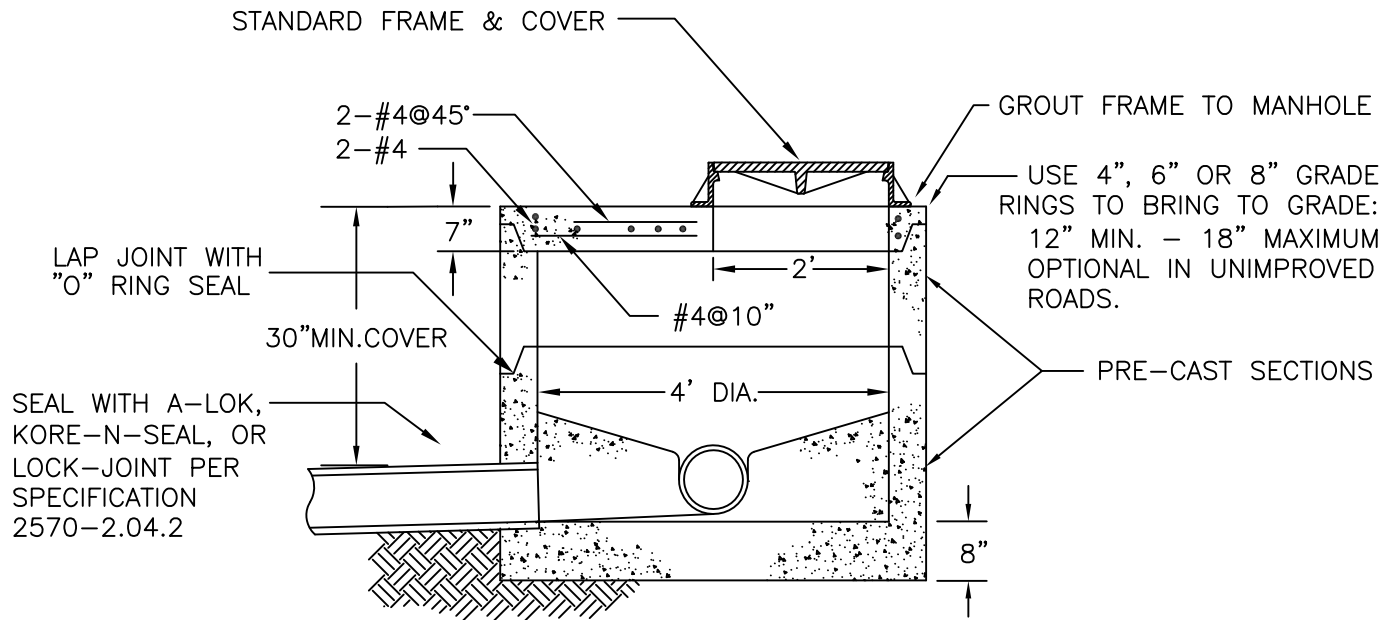


**ALTERNATE TOP WITH
INVERTED RING**



TOP REINFORCING



PROPOSED
SCALE: N.T.S.
DATE: 12/18/14

SHALLOW MANHOLE

DETAIL

D-12